

# Air Disc Brakes

Brake friction materials have evolved significantly over the years leading to semi-metallic and new low-met formulations used today. The steel fibers used in semi-metallic pads to provide strength and conduct heat away from rotors and into the pads can also generate extreme heat to the calipers. And are abrasive enough to increase rotor wear.

Since their introduction, ceramic formulations have become recognized for their desirable blends of traits. CFD pads employ ceramic compounds and brass chips in place of the semi-metallic pad's steel fibers. The brass chips transfer heat into the ceramic pad, as a heat sink. This allows the ceramic pads to handle high brake temperatures with less heat fade, protecting the calipers and pistons. A cooler running disc pad generates less wear on both pads and rotors. CFD disc pads provide much quieter braking because ceramic compound resists harmonic vibrations.

*Page 2*

D268 Inboard  
D268 Outboard  
F072  
F075A & B

*Page 3*

F067  
F067A  
F067B  
F280

*Page 4*

F100  
F120  
F136  
F161

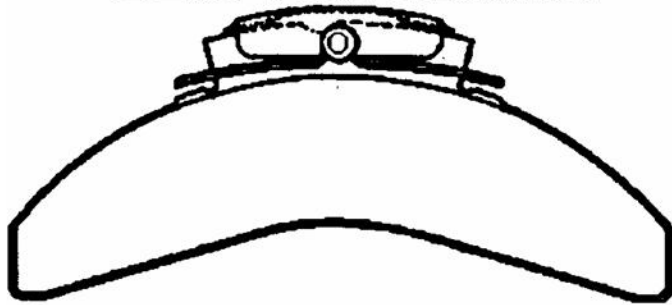
*Page 5*

F174  
F195  
F256  
F257

*Page 6*

Wear Sensor  
Illustrations

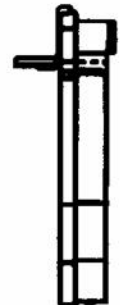
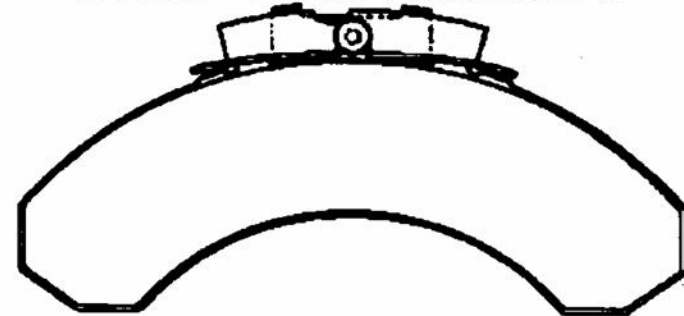
**D268-7811 Inboard**



11.880 x 4.880 x 1.216

Meritor Air Disc Pad - Fire Truck

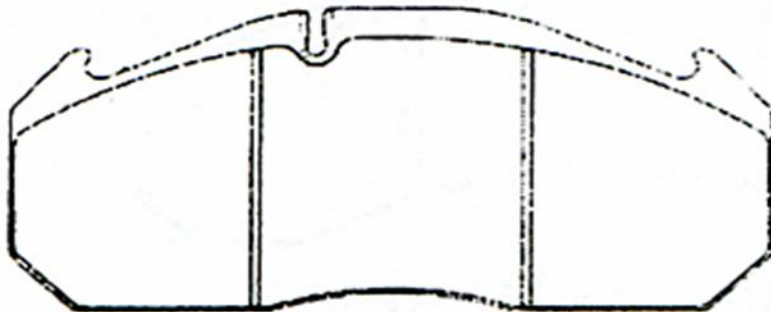
**D268 -7811 Outboard**



11.880 x 5.404 x 0.840

Meritor Air Disc Pad—Fire Truck

**F072-78X8**

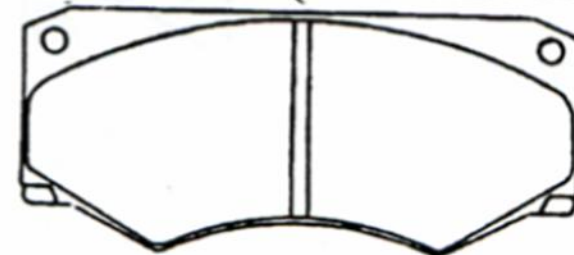


9.976 x 4.732 x 1.116

Van Hool, Kassbohrer, Lucas, Heuliez, Bova

**F075A-783XA (single wire sensor)**

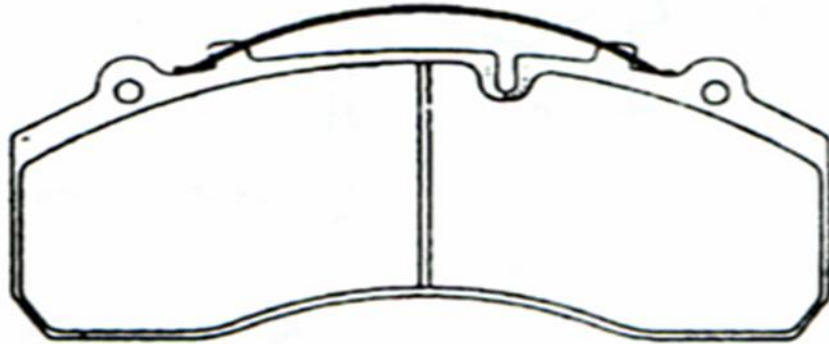
**F075B-783XB (two wire sensor)**



5.964 x 2.772 x 0.720

Iveco

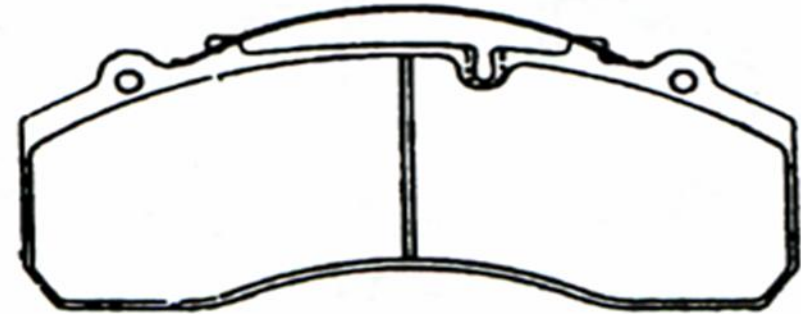
**F067-784X**



9.896 x 4.200 x 1.016

Prevost & Scania Bus

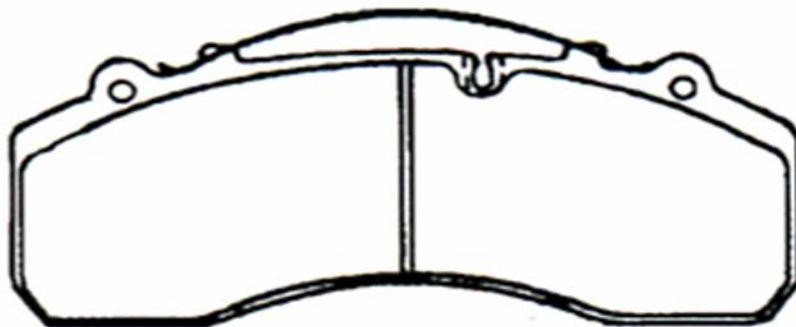
**F067A-786X**



9.896 x 4.200 x 1.200

Prevost & Scania Bus

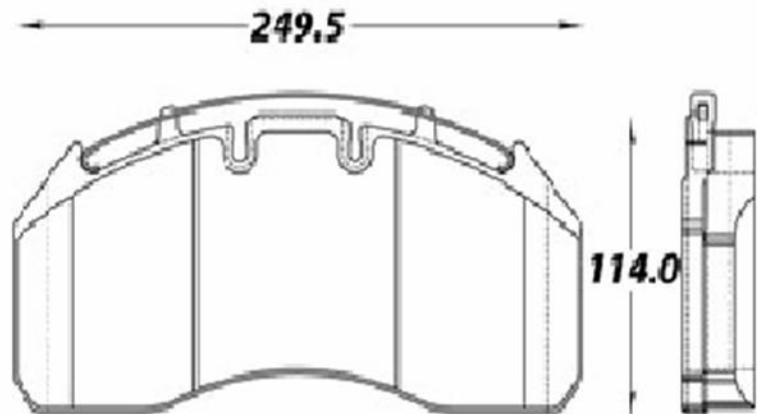
**F067B-78W19**



9.88 x 4.2 x 1.11

Prevost

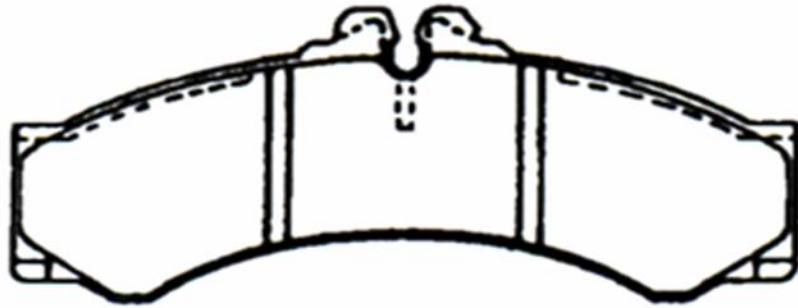
**F280-78W51A**



9.823 x 4.488 x 1.151

MCI / Prevost RTS (Transit Bus)

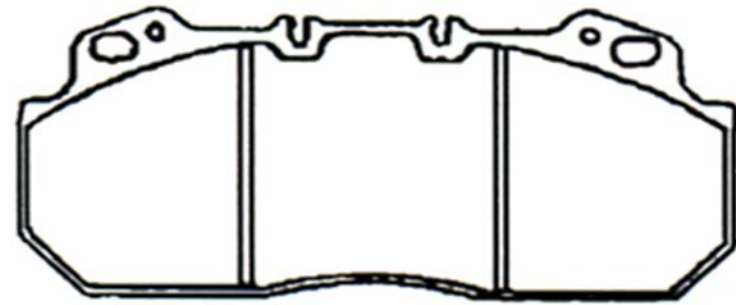
### **F100-78W3**



6.584 x 2.920 x 0.820

Perrot, Mercedes (Sprinter)

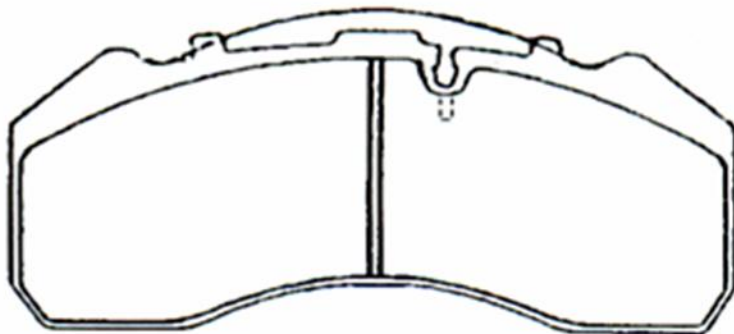
### **F120-78W6A**



9.984 x 4.580 x 1.116

Volvo, Renault, Porteurs (8-pins/clips)

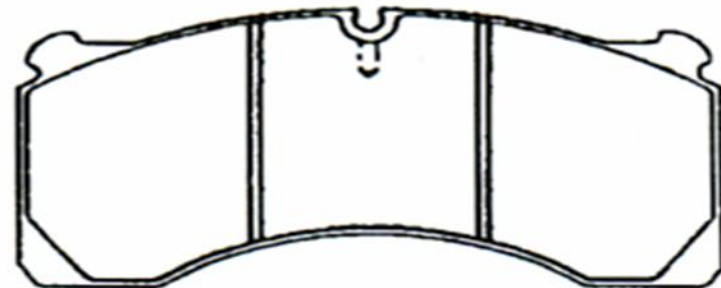
### **F136-78W11**



9.74 x 4.31 x 1.19

Scania

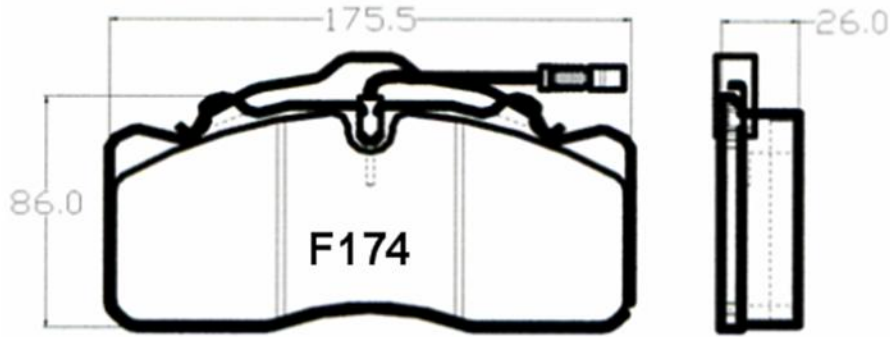
### **F161-78W12**



8.07 x 4.02 x 1.07

Bluebird / Freightliner

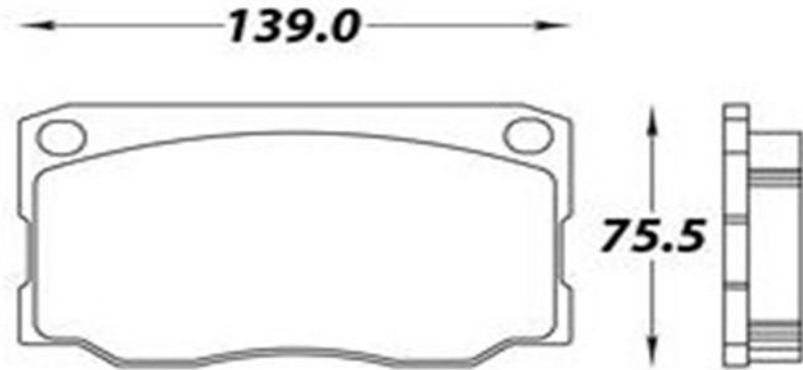
# F174 - 78W18



7.020 x 3.440 x 1.040

Scania, Man, Knorr SB 5000 Caliper

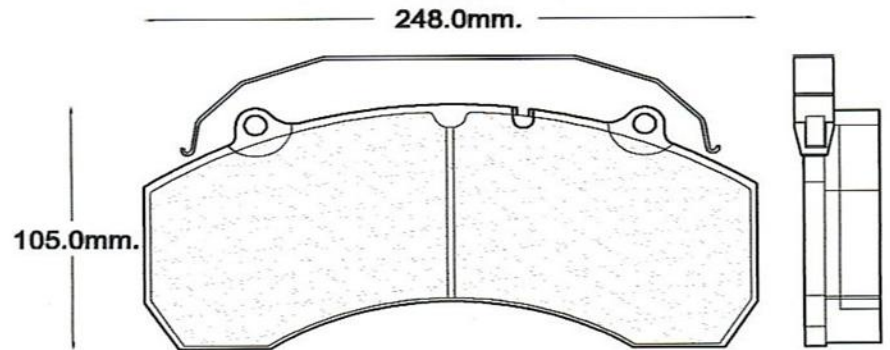
# F195 - 78W26



5.560 x 3.020 x .500

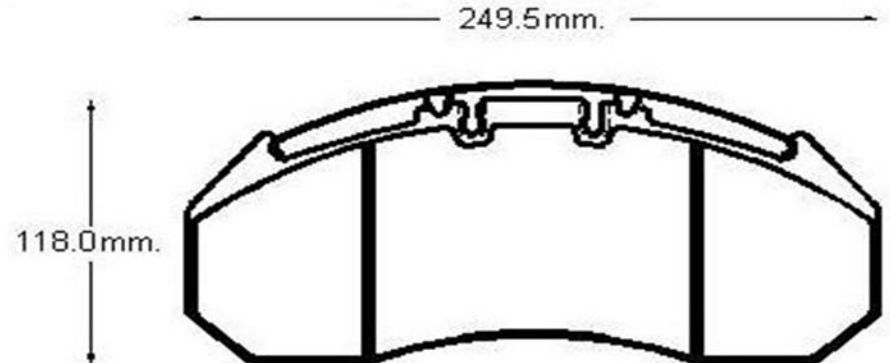
Bering Truck

# F256 - 78W42






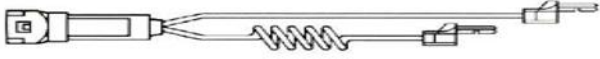
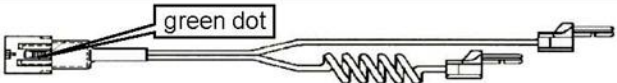

9.764 x 4.134 x 1.180

# F257 - 78W43



9.823 x 4.646 x 1.187

# BRAKE PAD SENSORS

PART NO.	Fits PAD No.	DESCRIPTION	DRAWING
WL 002		Iveco Ford, Renault RV 2 X 495mm	
WL 007	F072	MCW, Mercedes 2 X 500mm	
WL 009	F072	Renault RV I 2 X 885mm	
WL 010	F072	Kassbohrer, Prevos 2 X 310mm	
WL 011	F072	Man, Renault RV 2 X 365mm	
WL 013	F072	Renault RV I 2 X	
WL 016	F072	Van Hool	