

**FRICTION
SYSTEMS**

2008 BRAKE CATALOG

Domestic & Import



FRICTION SYSTEMS INC.

6125 West 59th Ave., Unit A
Arvada, CO 80003

Ph. 877-437-4832

Fax 877-737-4832

sales@frictionsystems.com

www.frictionsystems.com



FRITEC[®]

**FRICTION
SYSTEMS**

ON HIGHWAY

Pads/Shoes	Years	Part No.	Lining	Description	Technical
AVWARTER					
JETLINER N407, N409					AVWARTER
FRONT					
Pads	Up to 1985	F069A	78X4A	OE caliper Knorr	front axle, w/o lead
METROLINER					AVWARTER
FRONT					
Pads	up to 1/94	F069A	78X4A	OE caliper Knorr	front axle, w/o lead
N Series Bus N4008-N4026					AVWARTER
FRONT					
Pads	1/92-up	F067	78W23A	OE caliper Knorr	front axle, w/o lead
NEOPLAN N4007, -09,-14-16-21					AVWARTER
FRONT					
Pads	1/92-up	F069A	78X4A	OE caliper Knorr	front axle, w/o lead
SKYLINER N122/3					AVWARTER
FRONT					
Pads	1/92-up	F067	78W23A	OE caliper Knorr	front axle, w/o lead
SPACELINER N117/2, N117/3					AVWARTER
FRONT					
Pads	1/92-up	F067	78W23A	OE caliper Knorr	front axle, w/o lead
TRANSLINER N312, N316					AVWARTER
FRONT					
Pads	1/92-up	F067	78W23A	OE caliper Knorr	front axle, w/o lead
BERING TRUCK					
HYUNDAI MOTORS					BERING TRUCK
FRONT					
Pads	2000	F195	78W26	OEM # D58101-5HA00	
BLUE BIRD					
TC1000, All American					BLUE BIRD BUS
FRONT					
Pads	2002-1998	D786	7654	Bosch w/2.6" piston (thin pad)	66mm pin slide caliper
Pads	2002-1998	D786A	7655	Bosch w/2.87" piston (thick pad)	77mm pin slide caliper
Pads	1997	D184	7815	Bendix; with one or two piston caliper	
Pads	1997	D225	7818	Bendix w/2.88" piston	
REAR					
Pads	2002-1998	D786	7654	Bosch w/2.6" piston (thin pad)	66mm pin slide caliper
Pads	2002-1998	D786A	7655	Bosch w/2.87" piston (thick pad)	77mm pin slide caliper
Pads	1997	D184	7815	Bendix; with one or two piston caliper	
Pads	1997	D225	7818	Bendix w/2.88" piston	
TC2000					BLUE BIRD BUS
FRONT					
Pads	2004-1998	D786	7654	Bosch w/2.6" piston (thin pad)	66mm pin slide caliper
Pads	2004-1998	D786A	7655	Bosch w/2.87" piston (thick pad)	77mm pin slide caliper
Pads	2004-1989	D225	7818	Bendix w/2.88" piston	rail slide caliper
REAR					
Pads	2004-1998	D786	7654	Bosch w/2.6" piston (thin pad)	66mm pin slide caliper
Pads	2004-1998	D786A	7655	Bosch w/2.87" piston (thick pad)	77mm pin slide caliper
Pads	2004-1989	D225	7818	Bendix w/2.88" piston	rail slide caliper
CV200					BLUE BIRD BUS
FRONT					
Pads	2001-1999	D786	7654	Bosch w/2.6" piston (thin pad)	66mm pin slide caliper
Pads	2001-1999	D786A	7655	Bosch w/2.87" piston (thick pad)	77mm pin slide caliper

Pads/Shoes		Years	Part No.	Lining	Description	Technical
Pads		non-dated	D184	7815	Bendix; with one or two piston caliper	
REAR						
Pads		2001-1999	D786	7654	Bosch w/2.6" piston (thin pad)	66mm pin slide caliper
Pads		2001-1999	D786A	7655	Bosch w/2.87" piston (thick pad)	77mm pin slide caliper
Pads		non-dated	D184	7815	Bendix; with one or two piston caliper	
COMMERCIAL BUS BLUE BIRD BUS						
FRONT						
Pads		2001-1999	D786A	7655	Bosch w/2.87" piston (thick pad)	77mm pin slide caliper
Pads		Up to 1998	D184	7815	Bendix; with one or two piston caliper	
Pads		Up to 1998	D225	7818	Bendix w/2.88"	
REAR						
Pads		2001-1999	D786A	7655	Bosch w/2.87" piston (thick pad)	77mm pin slide caliper
Pads		Up to 1998	D184	7815	Bendix; with one or two piston caliper	
Pads		Up to 1998	D225	7818	Bendix w/2.88"	
BLUE BIRD MODEL AXLE BLUE BIRD BUS						
FRONT				w/Meritor Axles		
Pads		2002-2001	D1032	7636	w/axle FF966 / FF943, 12k	w/axle FD965, 10.7k
REAR						
Pads		2002-2001	D1032	RS-19 L-spindle	RS-21 R-spindle, 21k	replaces D769
BLUE BIRD - Some Models BLUE BIRD BUS						
FRONT						
Pads		up to 1989	D268	7173	fits various models	early Meritor style
BOVA						
FUTURA BOVA						
FRONT						
Pads		1990-Up	F069A	78X4A	FDH10; FDH12; FVD12	see DAF for others
Pads		1996-Up	F067	78W23A	FH10, FH12, FH15 * FL12, FL15	see DAF for others
Pads		non-dated	F162	78E22	Bova	see DAF for others
BREDA COACH						
ARTICULATED BUS BREDA						
FRONT						
Shoes		non-dated	4722	4722	Articulated Bus	
CHEVROLET * Automobiles & Light Duty Vehicles						
IMPALA (Police) CHEVROLET						
FRONT						
Pads		2008-2006	D1159	8269	includes: Police Models	88967233, 15270292
Pads		2004-2000	D1224	7693	similar to D818 & D1076 except thinner	18045380
Pads		2005	D1076	7981	similar to D818, exc. Thicker pad * SS	88964119
Pads		2005-2001	D699	7574	similar to D818, exc. IM holes (larger)	D818 use: D699
REAR						
Pads		2005-2000	D814	7387		D698 use: D814
PARKING BRAKE						
Shoes		2006-2000	PB770	2191		18026285
MONTE CARLO (Police) CHEVROLET						
FRONT						
Pads		2006	D1159	8269	Police model	88967233
REAR						
Pads		2006	D814	7387	Police model	88967229
PARKING BRAKE						
Shoes		2006	PB770	2191		18026285
LLV - POSTAL SERVICE VAN CHEVROLET						

Pads/Shoes	Years	Part No.	Lining	Description	Technical
FRONT					
Pads	1997-1987	D202	7480A	L10, Mail Trucks;	D154-7070
REAR					
Shoes	1997-1987	S514	2117ATT	L10, Mail Trucks;	9.1/2" RR
CHEVROLET * Light Duty Trucks * 1500, 1/2-Ton					
ASTRO/Safari VAN					CHEVROLET
FRONT					
Pads	2005-2003	D785	7653	All	
Pads	2002-1990	D052	728A	2WD	
Pads	2002-1990	D369	7259	4WD	
REAR					
Pads	2005-2003	D792	7662	2WD & 4WD	
Shoes	2002-1991	S651	2117BTT	(1991 Late); 2WD & 4WD	9.50 2.00"
Shoes	1991-1990	S514	2117ATT	(1991 Early); 2WD & 4WD	9.1/2" x 2"
PARKING BRAKE					
Shoes	2005	PB781	2196	Parking Brake	8.27 x 1.18
Shoes	2004-1997	PB770	2191	Parking Brake	6.89 x 0.89
BLAZER (Full Size)					CHEVROLET
FRONT					
Pads	2005-1998	D726	7593	All	
Pads	1997-1995	D154	7070	All, w/rear drum brake	
Pads	1997	D726	7593	All, w/rear disc brake	
Pads	1994-1992	D369	7259		
REAR					
Pads	2005-1998	D729	7596	All	
Shoes	1997-1995	514	2117	All, w/rear drum brake	9.1/2 x 2"
Pads	1997	D729	7596	All, w/rear disc brake	
Shoes	1994-1992	593	1404	All	10 x 2.24"
PARKING BRAKE					
Shoes	2004-1998	PB784	2199	Parking Brake	
COLORADO					CHEVROLET
FRONT					
Pads	2008-2004	D1039	7943	All	
REAR					
Pads	2008-2004	S815	1548		11.66 x 1.85"
CHEVROLET * Light Duty Trucks * 1500, 1/2-Ton					
AVALANCHE 1500					CHEVROLET
FRONT					
Pads	2007	D1092	7997	All, 1500 4WD and 2WD	may fit: 2005-06
Pads	2006-2002	D785	7653	All, 1500 4WD and 2WD	
REAR					
Pads	2007	D1194	8312	All	
Pads	2006-2002	D975	7707	4WD * 2002 w/limited slip axle	D834 use D975
Pads	2006-2003	D974	7881	2WD	
Pads	2002	D792	7700	w/o Limited Slip Axle	rear
PARKING BRAKE					
Shoes	2006-2002	S781	2196	Parking Brake	
C10, C15 Pickup					CHEVROLET
FRONT					
Pads	2000-1988	D369	7259	All	
REAR					
Shoe	2000-1993	675	1404AD	All, w/Rear Drum Brakes	10 x 2.24"
Shoe	2000-1992	473	2073TD	All, w/Rear Drum Brakes	11.5/32 x 2.3/4"

Pads/Shoes	Years	Part No.	Lining	Description	Technical
Shoe	1992-1988	593	1404D	All, w/Rear Drum Brakes	10 x 2.24"
K10, K15 Pickup					CHEVROLET
FRONT					
Pads	1999-1988	D369	7259	All	D368 use D369
REAR					
Shoe	1999-1993	675	1404AD	All	10 x 2.24"
Shoe	1999-1988	473	4073T	All	11.5/32 x 2.3/4"
Shoe	1992-1988	S593	1404D		10 x 2-1/4
SILVERADO 1500					CHEVROLET
FRONT					
Pads	2007-2005	D1092	7997	All, Crew Cab, except Hybrid Gas/Electric	OEM Ceramic Material
Pads	2007-1999	D785	7653	All	
Pads	2005-2001	D784	7652	All, 1/2-Ton Heavy-Duty	
REAR					
Pads	2007-2002	D792	7662	All, w/Hydraulic/Vacuum Power Brakes	Except Crew Cab
Shoe	2008-2007	S855	1583		
Pads	2006-1999	D785	7653	All	exc. Hybrid Gas/Electric
Pads	2006-2003	D834	7707	All, Hybrid Gas/Electric & 4WS	All w/SS Package
SILVERADO 1500 HD					CHEVROLET
FRONT					
Pads	2007-2001	D784	7652	All, 1/2-Ton Heavy-Duty	
REAR					
Pads	2007-2001	D785	7653	All, 1/2-Ton Heavy-Duty	Exc. 4WS
TAHOE					CHEVROLET
FRONT					
Pads	2007	D1092	7997		OEM Ceramic Material
REAR					
Pads	2007	D1194	8312		
SUBURBAN 1500 - C-Series					CHEVROLET
FRONT					
Pads	2007	D1092	7997		OEM Ceramic Material
Pads	2006-2000	D785	7653	All	
Pads	2001-1992	D369	7259	All, w/Rear Drum Brakes	w/11" drums
Pads	1999-1994	D370	7260	All, Diesel	w/13" drums
Pads	1991-1981	D052	728A		
REAR					
Pads	2007	D1194	8312		
Pads	2006-2003	D974	7881	All	
Pads	2002-2000	D975	7707	All, 4 Wheel Disc Brakes	D834 can use: D975
Shoes	2001-2000	473	2073T	All, w/Rear Drum Brakes	w/11" drums
Shoes	1999-1998	451	2042AT	All, Diesel	w/13" drums
Shoes	1999-1992	473	2073T	All	w/11.5/32" x 2.3/4"
SUBURBAN 1500 - K-Series					CHEVROLET
FRONT					
Pads	2006-2000	D785	7653	All, 4 Wheel Disc Brakes	
Pads	2000-1992	D369	7259	All	
Pads	1999-1998	D370	7260	All, Diesel	
REAR					
Pads	2006-2000	D975	7707	All, 4 Wheel Disc Brakes	D834 can use: D975
Shoes	2000-1992	473	2073T	All	w/11.5/32" x 2.3/4"
Shoes	1999-1998	451	2042AT	All, Diesel	w/ 13 x 2.1/2"
TAHOE					CHEVROLET
FRONT					

Pads/Shoes	Years	Part No.	Lining	Description	Technical
Pads	2006-2000	D785	7653	All	
Pads	2000-1995	D369	7259	All, w/10 x 2.24" Rear Drum Brakes	
Pads	2000-1999	D370	7260	All	
REAR					
Pads	2007	D1194	8312	All	
Pads	2006-2003	D834	7707	All, 4WD	
Pads	2006-2003	D974	7881	All, 2WD	
Pads	2002-2000	D834	7707	All	
Shoes	2000-1995	473	2073	All	11.5/32 x 2.3/4"
Shoes	1999-1997	675	1404	All	10 X 2.24"
Shoes	1996-1995	593	1404	All	10 X 2.24"
PARKING BRAKE					
Shoes	2005-2003	PB781	2196		8.27 x 1.18"
TRAILBLAZER CHEVROLET					
FRONT					
Pads	2008	D1169	8282	Trailblazer Aero & Trailblazer Sport	
Pads	2006	D883	7760	All, except sport performance package	
Pads	2005-2002	D882	7759	All	
REAR					
Pads	2008-2002	D883	7760	All	
PARKING BRAKE					
Shoes	2006-2002	PB781	2196	Parking Brake	
EXPRESS VAN 1500 CHEVROLET					
FRONT					
Pads	2008-2003	D785	7653	7300 lb GVW	
Pads	2002-1996	D369	7259	6-lug, 7300 lb GVW	
REAR					
Pads	2008-2003	D974	7881	7300 lb GVW	
Shoes	2002-1999	S473	2073TD		11.5/32 x 2.3/4
Pads	1995-1990	D052	728A		
G10, G15 VAN CHEVROLET					
FRONT					
Pads	1998-1996	D369	7259	All	
Pads	1995-1990	D052	728A	All	
REAR					
Shoes	2007	S781	2096		
Shoes	1998-1990	S473	2073TD		11.5/32 x 2.3/4
CHEVROLET * Light Duty Trucks * 2500, 3/4-Ton					
AVALANCHE 2500 CHEVROLET					
FRONT					
Pads	2007	D1092	7997	All	
Pads	2006-2002	D784	7652	All	
Pads	2005	D785	7653		
REAR					
Pads	2007	D1194	8312	Avalanche 2500	
Pads	2006-2002	D785	7653		
Pads	2003-2002	D975	7701	with GT4 3.73 axle ratio	D834 use D975
Shoes	2006	S855	1583	Avalanche 2500	
PARKING BRAKE					
Shoes	2006-2002	S771	2192-S/P	2500 Series	8.07 x 1.65"
C20, C25 Pickup CHEVROLET					
FRONT					
Pads	2000-1988	D369	7259	All, 7200 lb GVW	

Pads/Shoes	Years	Part No.	Lining	Description	Technical
Pads	2000-1988	D370	7260	All, 8600 lb GVW	13 x 3.1/2" rear brakes
REAR					
Shoes	2000-1988	473	2073T	All, 7200 lb GVW	11.5/32 x 2.3/4"
Shoes	2000-1988	451	2042AT	All, 8600 lb GVW	13 x 2.1/2"
Shoes	1997-1992	452	2157T	All, 13 x 3.1/2" rear brakes	13 x 3.1/2"
K20, K25 Pickup					CHEVROLET
FRONT					
Pads	2000-1988	D369	7259	All, 6 Lug Wheel * 7200 lb GVW	
Pads	2000-1988	D370	7260	All, 8 Lug Wheel * 8600 lb GVW	
REAR					
Shoes	2000-1988	473	2073T	All, 6 Lug Wheel * 7200 lb GVW	11.5/32 x 2.3/4"
Shoes	2000-1988	451	2042AT	All, 8 Lug Wheel * 8600 lb GVW	13 x 2.1/2"
Shoes	2000-1988	452	2157T	All, 8 Lug Wheel * 8600 lb GVW	13 x 3.1/2"
SILVERADO 2500 & HD					CHEVROLET
FRONT					
Pads	2006-1999	D785	7653	All, JC5, JH5 brake systems	ID code in glove box
Pads	2007-1999	D784	7652	All, JH6 brake systems	ID code in glove box
REAR					
Pads	2007-1999	D785	7653	All, JC5, JH5 brake systems	ID code in glove box
Pads	2006-1999	D785	7653	All, JH6 brake systems	ID code in glove box
PARKING BRAKE					
Shoes	2006-2001	PB771	2192 S/P	Parking Brake Shoe	8.07 x 1.65"
SUBURBAN 2500 - C-Series					CHEVROLET
FRONT					
Pads	2007-2000	D784	7652	All, 4 Wheel Disc Brakes	
Pads	2001-1992	D370	7260	All	
REAR					
Pads	2007-2000	D785	7653	All, 4 Wheel Disc Brakes	
Shoes	2001-1992	451	2042AT	w/Rear Drum Brakes	13" X 2.1/2"
Shoes	2001-1992	452	2157T	w/Rear Drum Brakes	13" X 3.1/2"
SUBURBAN 2500 - K-Series					CHEVROLET
FRONT					
Pads	2007-2000	D784	7652	All	2000 w/4WD brakes
Pads	2000	D370	7260	All	
Pads	2000	D784	7652	All, 4 Wheel Disc Brakes	
REAR					
Pads	2007-2001	D785	7653	All	
Shoes	2000	451	2042AT	w/Rear Drum Brakes	13" X 2.1/2"
Shoes	2000	452	2157T	w/Rear Drum Brakes	13" X 3.1/2"
Pads	2000	D785	7653	All, 4 Wheel Disc Brakes	
Shoes	1999-1997	451	2042AT	w/Rear Drum Brakes	13" X 2.1/2"
Shoes	1999-1992	452	2157T	w/Rear Drum Brakes	13" X 3.1/2"
PARKING BRAKE					
Shoes	2004	PB781	2196	parking brake	8.07 x 1.65
EXPRESS VAN 2500					CHEVROLET
FRONT					
Pads	2007	D784	7652	All, GVW 8600 lbs.	
Pads	2006-2003	D785	7653	All, 7300 lb GVW	
Pads	2005-2003	D784	7652	All, 8500 lb * 8600 lb GVW	
Pads	2002-1996	D370	7260	All	
Pads	2002-1996	D369	7259	All	
REAR					
Pads	2008-2003	D974	7875	All, 8500 lb * 8600 lb GVW	All, 7300 lb GVW

Pads/Shoes	Years	Part No.	Lining	Description	Technical
Shoes	2002-1996	S452	2157T	All	13 x 3.1/2"
Shoes	2002-1996	D369	7259	All	
Shoes	2002-1999	S473	2073TD	w/8 stud wheel;	13 x 2.1/2
Shoes	2002-1999	S473	2073TD	w/6 stud wheel;	11.5/32 x 2.3/4
PARKING BRAKE					
Shoes	2006-2003	PB771	2192	parking brake	8.07 x 1.65
G20, G25 VAN					CHEVROLET
FRONT					
Pads	1998-1996	D370	4260	7700-8600 GVW; w/8 stud wheel	
Pads	1998-1996	D369	7259	7300 GVW; w/6 stud wheel	
Pads	1995-1982	D052	728A	All	
REAR					
Shoes	1998-1996	S452	2157	7700-8600 GVW; w/8 stud wheel	13 x 3.1/2
Shoes	1998-1996	S473	2073	7300 GVW; w/6 stud wheel	11.5/32 x 2.3/4
Shoes	1998-1996	S451	2042	7300 GVW; w/6 stud wheel	13 x 2.1/2
Shoes	1995-1982	S451	2042		13 x 2.1/2
Shoes	1995-1978	S473	2073TD		11.5/32 x 2.3/4
P20 VAN					CHEVROLET
FRONT					
Pads	1989-1985	D153	7084	8000 GVW; H/D	
Pads	1984-1981	D153	7084	7500-8000 GVW; H/D	
REAR					
Shoes	1989-1981	S473	2073TD		11.5/32 x 2.3/4
Shoes	1989-1981	S451	2042ADT		13 x 2.1/2
CHEVROLET * Light Duty Trucks * 3500, 1-Ton					
C30, C35 Pickup					CHEVROLET
FRONT					
Pads	2002-1995	D184	7815	All, Rear Disc Brakes * 15,000 lb. GVW	Bendix 1 & 2 pist cal
Pads	2000-1990	D459	7339	All, DRW or Ext Cab models	exc H/D chassis cab
Pads	2000-1990	D370	7260	All, SRW trucks	exc H/D chassis cab
Pads	1994	D184	7108	All, From VIN# RJ107933	Bendix 1 & 2 pist cal
Pads	1994	D149	7081	All, To VIN # RJ107933	D543 S/S D149
Pads	1993-1991	D149	7081	All, Rear Disc Brakes	D543 S/S D149
REAR					
Pads	2002-1995	D184	7815	All, Rear Disc Brakes * 15,000 lb. GVW	Bendix 1 & 2 pist cal
Shoes	2000-1990	452	2157TD	All, DRW or Ext Cab models	13 x 3.1/2"
Shoes	2000-1990	451	2042AT	All, SRW trucks	13 x 2.1/2"
Pads	1994	D184	7108	All, From VIN# RJ107933	Bendix 1 & 2 pist cal
Pads	1994	D149	7081	All, To VIN # RJ107933	D543 S/S D149
Pads	1993-1991	D149	7081	All, Rear Disc Brakes	D543 S/S D149
K30, K35 Pickup					CHEVROLET
FRONT					
Pads	2000-1990	D459	7339	All, DRW or Ext Cab models	
Pads	2000-1990	D370	7260	All, SRW trucks	
REAR					
Shoes	2000-1990	452	2157TD	All, DRW or Ext Cab models	13 x 3.1/2"
Shoes	2000-1990	451	2042AT	All, SRW trucks	13 x 2.1/2"
R30, R35 Pickup					CHEVROLET
FRONT					
Pads	1991-1987	D149	7081		
REAR					
Shoes	1991-1987	S452	2157TD		13 x 3.1/2"
SILVERADO 3500. 1-Ton					CHEVROLET

Pads/Shoes	Years	Part No.	Lining	Description	Technical
FRONT					
Pads	2007-2001	D784	7652		
REAR					
Pads	2007-2001	D909	7788		
Pads	2007	D785	7653		
PARKING BRAKE					
Shoes	2007-2001	S771	2192 S/P	Parking Brake Shoes (2)	8.07 x 1.65"
V30, V35 Pickup					CHEVROLET
FRONT					
Pads	1991-1987	D149	7081		
REAR					
Shoes	1991-1987	S452	2157TD		13 x 3.1/2"
EXPRESS VAN 3500					CHEVROLET
FRONT					
Pads	2007-2003	D784	7652	All, 8600 lb and 9600 lb GVW * DRW	
Pads	2004-2003	D784	7652	All, Over 9600 lb	
Pads	2002-1996	D459	7339	All, DRW * stripped chassis	
Pads	2002-1996	D370	7260	All, except DRW and stripped chassis	
REAR					
Pads	2008-2003	D974	7875	All, 8600 lb and 9600 lb GVW	
Pads	2008-2003	D989	7891	All, 8600 lb and 9600 lb GVW * DRW	
Pads	2004-2003	D974	7875	All, Over 9600 lb	
Pads	2002-1996	452	2157T	All, DRW * stripped chassis	can use: S656
PARKING BRAKE					
Shoes	2006-2003	PB771		Parking Brake	8.07 x 1.65
G30 G35					CHEVROLET
FRONT					
Pads	1998-1996	D459	7339	All, w/DRW * stripped chassis	
Pads	1998-1996	D370	7260	All, w/SRW	
Pads	1995-1985	D153	7084	All, except HD chassis	
Pads	1995-1985	D149	7081	All, w/ HD chassis	
REAR					
Shoes	1998-1996	452	2157T	All, w/DRW * stripped chassis	13 x 3.1/2
Shoes	1998-1996	451	2042AT	All, w/SRW	13 x 2.1/2
Shoes	1998-1996	452	2157T	All, w/SRW	13 x 3.1/2
Shoes	1995-1985	451	2042AT	All, w/SRW	13 x 2.1/2
Shoes	1995-1985	452	2157T	All, w/SRW	13 x 3.1/2
P30 VAN					CHEVROLET
FRONT					
Pads	1999-1997	D149	7081	All	
Pads	1999-1997	D184	7815	All, 4-Wheel Disc Brake	
Pads	1996-1982	D149	7081	All	
Pads	1996-1979	D149	7081	All, 4-Wheel Disc Brake	
Pads	1995-1982	D153	7084	All	
REAR					
Shoes	1999-1997	451	2042AT	All	13 x 2.1/2"
Shoes	1999-1997	452	2157T	All	13 x 3.1/2"
Pads	1999-1997	D184	7815	All, 4-Wheel Disc Brake	
Shoes	1996-1982	452	2157T	All	13 x 3.1/2"
Pads	1996-1979	D149	7081	All, 4-Wheel Disc Brake	
Shoes	1995-1982	451	2042AT	All	13 x 2.1/2"
CHEVROLET MEDIUM TRUCKS & BUSES					
B6P042 School Bus					CHEVROLET MEDIUM

Pads/Shoes	Years	Part No.	Lining	Description	Technical
FRONT					
Pads	1991-1988	D225	7818	Bendix; w/2.88" 2-piston caliper	(T)
Pads	1991-1983	D224	7807	Dayton; w/2.5" 2-piston caliper	
Pads	1987-1983	D225	7818	Bendix; w/2.88" 2-piston caliper	(T)
REAR					
Pads	1991-1988	D225	7818	Bendix; w/2.88" 2-piston caliper	(T)
Pads	1991-1983	D224	7807	Dayton; w/2.5" 2-piston caliper	
Pads	1987-1983	D225	7818	Bendix; w/2.88" 2-piston caliper	(T)
PARKING BRAKE					
Shoes	1991-1988	PB692	2079	parking brake	12 x 3
Shoes	1991-1988	PB647	2086D	parking brake	9 x 3
B7T042 School Bus					CHEVROLET MEDIUM
FRONT					
Pads	2002-1999	D225	7818	Bendix; w/2.88" 2-piston caliper	
Pads	2002-1993	D224	7807	Dayton; w/2.5" 2-piston caliper	
Pads	1999-1993	D225	7818	Bendix; w/2.88" 2-piston caliper	
Pads	1996-1993	D225	7818	Bendix; w/2.88" 2-piston caliper	
Shoes	2002-1997	4702Q	4702	w/air brake; meritor Q plus	15 x 4
REAR					
Pads	2002-1999	D225	7818	Bendix; w/2.88" 2-piston caliper	
Pads	2002-1993	D224	7807	Dayton; w/2.5" 2-piston caliper	
Pads	1999-1993	D225	7818		
Pads	1996-1993	D225	7818		
Shoes	2002-1997	4707Q	4707	w/air brake; meritor Q plus; extended life	16.1/2 x 7
PARKING BRAKE					
Shoes	2002-1993	PB647	2086D	Driveline config.	9 x 3
Shoes	2002-1993	PB824	1556D	Drum-in-hat config.	11.7/8 x 3
C4500 KODIAK / TOPKICK					CHEVROLET MEDIUM
FRONT			40 Series		
Pads	2008-2003	D1010	7914	6.25M FA; 2-piston caliper	6000 lb axle
Pads	2008-2003	D1032	7636	7, 8M FA; w/4-piston caliper	7000 lb axle
REAR					
Pads	2008-2003	D1064	7969	w/10-hole rotor; w/DIH parking brake	7000 lb axle
Pads	2008-2003	D1010	7914	w/5-hole rotor; w/o parking brake	6000 lb axle
Pads	2008-2003	D1032	7636	7, 8M FA; w/4-piston caliper	w/DIH parking brake
PARKING BRAKE					
Shoes	2005-2004	PB847	1577	DIH	9.56 x 2.45
Shoes	2005-2003	PB647	2086D	Driveline config.	9 x 3
C5500 KODIAK / TOPKICK					CHEVROLET MEDIUM
FRONT			50 Series		
Pads	2008-2003	D1010	7914	6.25M FA; 2-piston caliper	6000 lb axle
Pads	2008-2003	D1032	7636	7, 8M FA; w/4-piston caliper	7000 lb axle
REAR					
Pads	2008-2003	D1064	7969	w/10-hole rotor; w/DIH parking brake	7000 lb axle
Pads	2008-2003	D1010	7914	w/5-hole rotor; w/o parking brake	6000 lb axle
Pads	2008-2003	D1032	7636	7, 8M FA; w/4-piston caliper	w/DIH parking brake
PARKING BRAKE					
Shoes	2008-2003	PB647	2086	Driveline config.	9 x 3
Shoes	2005-2004	PB847	1577	DIH	9.56 x 2.45
C5D042 TRUCK					CHEVROLET MEDIUM
FRONT					
Pads	1990-1988	D184	7815	Bendix; with one or two piston caliper	No. 415325
Pads	1990-1983	D225	7818	Dayton; w/2.88" 2-piston caliper L/D	4151244; 3368188

Pads/Shoes	Years	Part No.	Lining	Description	Technical
Pads	1990-1983	D224	7807	Dayton; w/2.88" 2-piston caliper	No. 60480388
Pads	1987-1983	D225	7818	Bendix; w/1-piston No. 4150868	
REAR					
Pads	1990-1983	D225	7818	Bendix; w/2.88" 2-piston caliper L/D	4151244; 3368188
Pads	1990-1983	D224	7807	Dayton; w/2.5" 2-piston caliper; 60450394	60050185; 60450410
Pads	1987-1983	D225	7818	Bendix; w/2.88" 2-piston caliper H/D	3366615; 4150868
PARKING BRAKE					
Shoes	1990-1988	PB647	2086D	Driveline config.	9 x 3
C5H042 KODIAK / TOPKICK					CHEVROLET MEDIUM
FRONT					
Pads	2002-1991	D224	7807	Dayton; w/2.5" 2-piston caliper	
Pads	2002	D1032	7636	w/4-piston caliper; w/wear sensor	
Pads	2000-1995	D1032	7636	w/4-piston caliper; w/o wear sensor	D769 Use D1032
Pads	1996-1990	D225	7818	Bendix; w/2.88" 2-piston caliper	No. 4152546
REAR					
Pads	2002-1990	D224	7807	Dayton; w/2.5" 2-piston caliper	
Pads	2002-1995	D1032	7636	w/4-piston caliper; w/o wear sensor	D769 Use D1032
Pads	1996-1990	D225	7818	Bendix; w/2.88" 2-piston caliper	No. 4152546
PARKING BRAKE					
Shoes	1990	PB692	2079D	Driveline Config.	12 x 3
Shoes	1990	PB647	2086D	Driveline config.	9 x 3
Shoes	1990	PB824	1556D	Drum-in-hat config.	11.7/8 x 3
C6500 KODIAK / TOPKICK					CHEVROLET MEDIUM
FRONT					
60 Series					
Pads	2008-2003	D1032	7636	w/4-piston caliper; w/wear sensor	
Pads	2002-1990	D225	7142	w/Bendix calipers	
Pads	2002-1990	D224	7141	w/Dayton calipers	
REAR					
Pads	2008-2003	D1032	7636	w/4-piston caliper; w/wear sensor	
Pads	2002-1995	D1032	7636	w/Dayton calipers	4-piston rear
Pads	2002-1995	D225	7142	w/Bendix calipers	
Pads	2002-1995	D224	7141	w/Dayton calipers	
PARKING BRAKE					
Shoes	2008-2003	PB647	2086D	Driveline config.	9 x 3
Shoes	2008-2003	PB824	1556D	DIH.; w/manual transmission	11.7/8 x 3
Shoes	2008-2003	PB692		DIH, w/auto transmission	11.7/8 x 3
C6D042 TRUCK					CHEVROLET MEDIUM
FRONT					
Pads	1999-1988	D184	7815	Bendix; with one or two piston caliper	No. 4151325
Pads	1990-1983	D225	7818	Bendix; w/2.88" 2-piston caliper L/D	4151244; 3368188
Pads	1990-1983	D224	7807	Dayton; w/2.5" 2-piston caliper	No. 60450388
Pads	1987-1983	D225	7818	Bendix; w/2.88" 2-piston caliper H/D	No. 4150868
REAR					
Pads	1999-1988	D224	7807	All	
Pads	1990-1983	D225	7818	Bendix; w/2.88" 2-piston caliper L/D	4151244; 3368188
Pads	1990-1983	D224	7807	Dayton; w/2.5" 2-piston caliper, 60450394	60050185; 60450410
Pads	1987-1983	D225	7817	Bendix; w/2.88" 2-piston caliper H/D	3366615; 4150868
PARKING BRAKE					
Shoes	1990-1988	PB692	2079D	driveline config	12 x 3
Shoes	1990-1988	PB647	2086D	driveline config	9 x 3
C6D064					CHEVROLET MEDIUM
FRONT					
Pads	1990-1988	D184	7815	Bendix; with one or two piston caliper	No. 4151325

Pads/Shoes	Years	Part No.	Lining	Description	Technical
Pads	1990-1983	D225	7818	Bendix; w/2.88" piston caliper L/D	4151244; 3368188
Pads	1990-1983	D224	7807	Dayton; w/2.5" 2-piston caliper	No. 60450388
Pads	1987-1983	D225	7818	Bendix; w/2.88" piston caliper H/D	No. 4150868
REAR					
Pads	1990-1983	D225	7818	Bendix; w/2.88" piston caliper L/D	4151244; 3368188
Pads	1990-1983	D224	7807	Dayton; w/2.5" 2-piston caliper; 60450394	60050185; 60450410
Pads	1987-1983	D225	7818	Bendix; w/2.88" piston caliper H/D	3366615; 4150868
PARKING BRAKE					
Shoes	1990-1988	PB692	2079D	driveline config.	12 x 3
Shoes	1990-1988	PB647	2086D	driveline config.	9 x 3
C6H042 KODIAK / TOPKICK					CHEVROLET MEDIUM
FRONT					
Pads	2007-2003	D1032	7636	w/4-piston caliper; w/wear sensor	
Pads	2002-1990	D225	7142	w/Bendix calipers	
Pads	2002-1990	D224	7141	w/Dayton calipers	
REAR					
Pads	2007-2003	D1032	7636	w/4-piston caliper; w/wear sensor	
Pads	2002-1995	D1032	7636	w/Dayton calipers	4-piston rear
Pads	2002-1995	D225	7142	w/Bendix calipers	
Pads	2002-1995	D224	7141	w/Dayton calipers	
PARKING BRAKE					
Shoes	2005-1990	PB647	2086D	Driveline config.	9 x 3
Shoes	2005-1990	PB824	1556D	DIH,; w/manual transmission	11.7/8 x 3
Shoes	2005-1990	PB692	2079	DIH, w/auto transmission	11.7/8 x 3
C7500 KODIAK / TOPKICK					CHEVROLET MEDIUM
FRONT					
			<i>70 Series</i>		
Pads	2008-2003	D1032	7636	w/4-piston caliper; w/wear sensor	
Pads	2002-1990	D225	7142	w/Bendix calipers	
Pads	2002-1990	D224	7141	w/Dayton calipers	
REAR					
Pads	2008-2003	D1032	7636	w/4-piston caliper; w/wear sensor	
Pads	2002-1995	D1032	7636	w/Dayton calipers	4-piston rear
Pads	2002-1995	D225	7142	w/Bendix calipers	
Pads	2002-1995	D224	7141	w/Dayton calipers	
PARKING BRAKE					
Shoes	2008-2003	PB647	2086D	Driveline config.	9 x 3
Shoes	2008-2003	PB824	1556D	DIH,; w/manual transmission	11.7/8 x 3
Shoes	2008-2003	PB692	2079	DIH, w/auto transmission	11.7/8 x 3
C7H042 KODIAK / TOPKICK					CHEVROLET MEDIUM
FRONT					
Pads	2007-2003	D1032	7636	w/4-piston caliper; w/wear sensor	
Pads	2002-1990	D225	7142	w/Bendix calipers	
Pads	2002-1990	D224	7141	w/Dayton calipers	
REAR					
Pads	2007-2003	D1032	7636	w/4-piston caliper; w/wear sensor	
Pads	2002-1995	D1032	7636	w/Dayton calipers	4-piston rear
Pads	2002-1995	D225	7142	w/Bendix calipers	
Pads	2002-1995	D224	7141	w/Dayton calipers	
PARKING BRAKE					
Shoes	2005-1990	PB647	2086D	Driveline config.	9 x 3
Shoes	2005-1990	PB824	1556D	DIH,; w/manual transmission	11.7/8 x 3
Shoes	2005-1990	PB692	2079	DIH, w/auto transmission	11.7/8 x 3
C7H064 KODIAK / TOPKICK					CHEVROLET MEDIUM

Pads/Shoes	Years	Part No.	Lining	Description	Technical
FRONT					
Pads	2007-2003	D1032	7636	w/4-piston caliper; w/wear sensor	
Pads	2002-1990	D225	7142	w/Bendix calipers	
Pads	2002-1990	D224	7141	w/Dayton calipers	
REAR					
Pads	2007-2003	D1032	7636	w/4-piston caliper; w/wear sensor	
Pads	2002-1995	D1032	7636	w/Dayton calipers	4-piston rear
Pads	2002-1995	D225	7142	w/Bendix calipers	
Pads	2002-1995	D224	7141	w/Dayton calipers	
PARKING BRAKE					
Shoes	2005-1990	PB647	2086D	Driveline config.	9 x 3
Shoes	2005-1990	PB824	1556D	DIH,; w/manual transmission	11.7/8 x 3
Shoes	2005-1990	PB692	2079	DIH, w/auto transmission	11.7/8 x 3
P4T042 FORWARD CONTROL					CHEVROLET MEDIUM
FRONT					
Pads	1996-1988	D184	7815	Bendix; with one or two piston caliper	
Pads	1996-1988	D224	7807	Dayton; w/2.5" 2-piston caliper	
REAR					
Pads	1996-1988	D184	7815	Bendix; with one or two piston caliper	
Pads	1996-1988	D224	7807	Dayton; w/2.5" 2-piston caliper	
PARKING BRAKE					
Shoes	1990-1984	PB647	2086D	Driveline config.	9 x 3
Shoes	1996-1991	PB823			
P6S FORWARD CONTROL					CHEVROLET MEDIUM
FRONT					
Pads	1996-1992	D225	7142	w/Bendix calipers	
Pads	1996-1992	D224	7141	w/Dayton calipers	
REAR					
Pads	1996-1992	D225	7142	w/Bendix calipers	
Pads	1996-1992	D224	7141	w/Dayton calipers	
P6T042 FORWARD CONTROL					CHEVROLET MEDIUM
FRONT					
Pads	1990-1983	D225	7142	w/Bendix calipers	
Pads	1990-1983	D224	7141	w/Dayton calipers	
Pads	1990-1988	D184	7815	Bendix; with one or two piston caliper	No. 4151324
REAR					
Pads	1990-1984	D225	7142	w/Bendix calipers	
Pads	1990-1984	D224	7141	w/Dayton calipers	
Pads	1990-1984	D184	7815	Bendix; with one or two piston caliper	4150868; 3366615
S7T042 SCHOOL BUS					CHEVROLET MEDIUM
FRONT					
Pads	1990-1983	D225	7818	Bendix; w/2.88" 2-piston caliper	
REAR					
Pads	1990-1983	D225	7818	Bendix; w/2.88" 2-piston caliper	
PARKING BRAKE					
Shoes	1990-1988	PB692	2079D	Driveline config.	12 x 3
Shoes	1990-1988	PB823			11 x 2
Shoes	1990-1988	PB647	2086D	Driveline config.	9 x 3
T6500 TILTMASER CAB					CHEVROLET MEDIUM
FRONT					
Pads	2007-2004	D1032	7636	w/4-piston caliper;	w/wear sensor
Pads	2007-2004	D225	7142	w/Bendix calipers	11000, 12000 lb. FA
Pads	2007-2004	D224	7141	w/Dayton calipers	8100 lb. FA

Pads/Shoes	Years	Part No.	Lining	Description	Technical
REAR					
Pads	2007-2004	D1032	7636	w/4-piston caliper;	w/wear sensor
Pads	2002-3/98	D1032	7636	w/4-piston caliper;	w/wear sensor
Pads	2002-3/98	D225	7142	w/Bendix calipers	
Pads	2002-3/98	D224	7141	w/Dayton calipers	
Pads	2/98-3/96	D225	7142	w/Bendix calipers	
Pads	2/98-3/96	D224	7141	w/Dayton calipers	
PARKING BRAKE					
Shoes	2005-2003	PB647	2086D	Driveline config.	9 x 3
Shoes	2005-2003	PB824	1556D	Drum-in-hat config.	11.7/8 x 3
T7500 TILTMASER CAB CHEVROLET MEDIUM					
FRONT					
Pads	2007-2004	D1032	7636	w/4-piston caliper;	w/wear sensor
Pads	2007-2004	D225	7142	w/Bendix calipers	11000, 12000 lb. FA
Pads	2007-2004	D224	7141	w/Dayton calipers	8100 lb. FA
REAR					
Pads	2007-2004	D1032	7636	w/4-piston caliper;	w/wear sensor
Pads	2002-3/98	D1032	7636	w/4-piston caliper;	w/wear sensor
Pads	2002-3/98	D225	7142	w/Bendix calipers	
Pads	2002-3/98	D224	7141	w/Dayton calipers	
Pads	2/98-3/96	D225	7142	w/Bendix calipers	
Pads	2/98-3/96	D224	7141	w/Dayton calipers	
PARKING BRAKE					
Shoes	2005-2003	PB647	2086D	Driveline config.	9 x 3
Shoes	2005-2003	PB824	1556D	Drum-in-hat config.	11.7/8 x 3
T8500 TILTMASER CAB CHEVROLET MEDIUM					
FRONT					
Pads	2007-2004	D1032	7636	w/4-piston caliper;	w/wear sensor
Pads	2007-2004	D225	7142	w/Bendix calipers	11000, 12000 lb. FA
Pads	2007-2004	D224	7141	w/Dayton calipers	8100 lb. FA
REAR					
Pads	2007-2004	D1032	7636	w/4-piston caliper;	w/wear sensor
Pads	2002-3/98	D1032	7636	w/4-piston caliper;	w/wear sensor
Pads	2002-3/98	D225	7142	w/Bendix calipers	
Pads	2002-3/98	D224	7141	w/Dayton calipers	
Pads	2/98-3/96	D225	7142	w/Bendix calipers	
Pads	2/98-3/96	D224	7141	w/Dayton calipers	
PARKING BRAKE					
Shoes	2005-2003	PB647	2086D	Driveline config.	9 x 3
Shoes	2005-2003	PB824	1556D	Drum-in-hat config.	11.7/8 x 3
CHEVROLET: W4 / W5 / W6 / W7 (ISUZU)					
W3500 NPR, GAS POWERED CHEV W-SERIES					
FRONT					
Pads	2007-10/97	D827	7399	14,001 to 16,000 GVW	Gasoline
Pads	2007-10/97	D825	7697	10,000 to 14,000 GVW	Gasoline
Pads	9/97-1995	D675	7425		Gasoline
REAR					
Shoes	2007-10/97	S792	1534	311.2mm x 121.9mm	Gasoline
Shoes	2007-10/97	S699	1482	320mm x 100mm	Gasoline
Shoes	9/97-1995	S612	1416	320mm x 75mm	Gasoline
W3500 NPR, DIESEL POWERED CHEV W-SERIES					
FRONT					
Pads	2007-1/98	D827	7399	14,001 to 16,000 GVW	Diesel

Pads/Shoes	Years	Part No.	Lining	Description	Technical
Pads	2007-1/98	D825	7697	10,000 to 14,000 GVW	Diesel
Pads	12/97-1995	D675	7425		Diesel
REAR					
Shoes	2007-3/01	S699	1482	Diesel	320mm x 100mm
Shoes	2/01-1995	S612	1416	Diesel	320mm x 75mm
W4 NPR, DIESEL Front Drums CHEV W-SERIES					
FRONT					
Shoes	11/93-1/91	S699	1482	14,250 lb axle	320mm x 100mm
Shoes	11/93-1/91	S612	1416	11,000 to 13,000 lb axle	320mm x 75mm
Shoes	12/90-1986	S612	1416	Diesel	320mm x 75mm
REAR					
Shoes	11/93-9/88	S668	1454	Flat Low	300mm x 75mm
Shoes	11/93-9/88	S699	1482	13k, 14.25k lb axles	320mm x 100mm
Shoes	11/93-9/88	S612	1416	11k lb axle, except Flat Low	320mm x 75mm
Shoes	8/88-1986	S612	1416	Diesel	320mm x 75mm
W4 NPR, GAS Front Disc CHEV W-SERIES					
FRONT					
Pads	2005-7/99	D827	7399		Gasoline
Pads	6/99-10/97	D826	7698		Gasoline
Pads	9/97-8/87	D675	7425		Gasoline
REAR					
Shoes	9/97-9/94	S699	1482	13.250 lb axle	320mm x 100mm
Shoes	9/97-9/94	S612	1416	except 13,250 lb axle	320mm x 75mm
Shoes	8/94-12/93	S699	1482	13k, 14.25k lb axles	320mm x 100mm
Shoes	8/94-12/93	S612	1416	11k lb axle	320mm x 75mm
Shoes	11/93-9/88	S699	1482	13k, 14.25k lb axles	320mm x 100mm
Shoes	11/93-9/88	S612	1416	11k lb axle, except Flat Low	320mm x 75mm
Shoes	11/93-9/88	S668	1454	Flat Low	300mm x 75mm
W4 NPR, DIESEL Front Disc CHEV W-SERIES					
FRONT					
Pads	2005-1/98	D825	7697		
Pads	12/97-8/87	D675	7425		
REAR					
Shoes	12/97-9/94	S612	1416	except 14,250 lb axle	320mm x 75mm
Shoes	12/97-9/94	S699	1482	14,250 lb axle	320mm x 100mm
Shoes	8/94-12/93	S612	1416	11k lb axle	320mm x 75mm
Shoes	8/94-12/93	S699	1482	13k, 14.25k lb axles	320mm x 100mm
Shoes	11/93-9/88	S688	1454	Flat Low	300mm x 75mm
Shoes	11/93-9/88	S699	1482	13k, 14.25k lb axles	320mm x 100mm
Shoes	11/93-9/88	S612	1416	11k lb axle, except Flat Low	320mm x 75mm
W4500 w/GAS Engine CHEV W-SERIES					
FRONT					
Pads	2007-7/99	D825	7697	10,001 to 14,000 GVW	
Pads	2007-7/99	D827	7399	14,001 to 16,000 GVW	
Pads	6/99-2/99	D826	7398	w/o ABS	
Pads	6/99-2/99	D827	7399	with ABS	
Pads	1/99-10/97	D826	7398		
Pads	9/97-1995	D675	7425		
REAR					
Shoes	2007-10/97	S792	1534	311.2mm x 121.9mm	
Shoes	9/97-1995	S699	1482	320mm x 100mm	
W4500 w/DIESEL Engine CHEV W-SERIES					
FRONT					

Pads/Shoes	Years	Part No.	Lining	Description	Technical
Pads	2007-1/98	D827	7399	16,001 to 19,500 GVW	
Pads	2007-1/98	D825	7697	14,001 to 16,000 GVW	
Pads	12/97-1995	D675	7425		
REAR					
Shoes	2007-1995	S792	1534	16,001 to 19,500 GVW	
Shoes	2007-1995	S699	1482	14,001 to 16,000 GVW	
W5 Series w/Front Drums					CHEV W-SERIES
FRONT					
Shoes	1999-7/97	S669	1455		
Shoes	6/97-11/87	S672	1458	320mm x 110mm	
REAR					
Shoes	1999-2/94	S727	1498	320mm x 145mm	
W5500					CHEV W-SERIES
FRONT					
Pads	2007-1/99	D827	7399		
Pads	12/98-1/98	D826	7398		
REAR					
Shoes	2005-1/98	S792	1534	311.2mm x 121.9mm	
W6; W6500, T60, T6000 (FSR), Front Drums					CHEV W-SERIES
FRONT					
Shoes	1996-1/94	S616	1421D	400mm x 115mm	W6R042
Shoes	12/93-12/89	S616	1421D	except Low Deck	400mm x 115mm
Shoes	12/93-12/89	S603	1411D	Low Deck	400mm x 110mm
REAR					
Shoes	1996-1/94	S615	1420D	410mm x 115mm	W6R042
Shoes	12/93-6/90	S615	1420D	410mm x 115mm	
Shoes	12/93-6/90	S604	1412D	370mm x 135mm	
Shoes	5/90-9/86	S615	1420D	410mm x 115mm	
W6; W6500, T60, T6000 (FSR), Front Discs					CHEV W-SERIES
FRONT					
Pads	2002-3/96	D224	7807	8100 lb FA - Dayton Caliper	2.5" 2-piston caliper
Pads	2002-3/96	D225	7818	11000, 1200 lb FA - Bendix Caliper	2.88 2-piston caliper
Pads	2002-3/98	D1032	7636	4-piston caliper - Dayton Caliper	
REAR					
Pads	2002-3/98	D224	7807	8100 lb FA - Dayton Caliper	2.5" 2-piston caliper
Pads	2002-3/98	D225	7818	11000, 1200 lb FA - Bendix Caliper	2.88 2-piston caliper
Pads	2002-3/98	D1032	7636	4-piston caliper - Dayton Caliper	
Pads	2/98-3/96	D224	7807	8100 lb FA - Dayton Caliper	2.5" 2-piston caliper
Pads	2/98-3/96	D225	7818	11000, 1200 lb FA - Bendix Caliper	2.88 2-piston caliper
PARKING BRAKE					
Shoes	2002-1996	S647	2086D	Driveline config.	9 x 3
Shoes	2002-1997	S824	1556D	Drum-in-hat config.	11.7/8 x 3
W7M; T70, T7000 (FTR) w/Front Drums					CHEV W-SERIES
FRONT					
Shoes	1996-10/94	S718	1418	410mm x 140mm	AOH
Shoes	9/94-1/94	S613	1418	410mm x 140mm	AOH Manual
Shoes	9/94-1/94	S718	1418	410mm x 140mm	AOH Automatic
Shoes	12/93-9/86	S613	1418	410mm x 140mm	AOH
REAR					
Shoes	1996-10/94	S718	1418	410mm x 140mm	AOH
Shoes	9/94-1/94	S613	1418	410mm x 140mm	AOH Manual
Shoes	9/94-1/94	S718	1418	410mm x 140mm	AOH Automatic
Shoes	12/93-9/86	S613	1418	410mm x 140mm	AOH

Pads/Shoes	Years	Part No.	Lining	Description	Technical
W7M; T70, T7000 (FTR) w/Front Discs					CHEV W-SERIES
FRONT					
Pads	2007-4/03	D1032	7636	4-piston caliper, w/o wear sensors	11000, 12000 lb FA
Pads	2002-3/96	D225	7818	Bendix; w/2.88" 2-piston caliper	11000, 12000 lb FA
Pads	2002-3/96	D224	7807	Dayton; w/2.5" 2-piston caliper	8100 lb FA
REAR					
Pads	2007-3/98	D1032	7636	4-piston caliper, w/o wear sensors	
Pads	2002-3/98	D225	7818	Bendix; w/2.88" 2-piston caliper	
Pads	2002-3/98	D224	7807	Dayton; w/2.5" 2-piston caliper	
Pads	2/98-3/96	D225	7818	Bendix; w/2.88" 2-piston caliper	
Pads	2/98-3/96	D224	7807	Dayton; w/2.5" 2-piston caliper	
PARKING BRAKE					
Shoes	2007-3/96	PB647	2086D	Driveline config.	9 x 3
Shoes	2007-3/96	PB824	1556D	Drum-in-hat config.	11.7/8 x 3
W7H (FVR) w/Front Drums					CHEV W-SERIES
FRONT					
Shoes	1996-1995		4734D		4X06 s/s 4734D
Shoes	1995-Up		1418	Air Brake	
Shoes	1994-1986		1418	Air Brake	
REAR					
Shoes	1995-Up		1418	Air Brake	
Shoes	1994-1986		1418	Air Brake	
W7H (FVR) w/Front Discs					CHEV W-SERIES
FRONT					
Pads	2007-4/03	D1032	7636	4-piston caliper, w/o wear sensors	11000, 12000 lb FA
Pads	2002-3/96	D225	7818	Bendix; w/2.88" 2-piston caliper	11000, 12000 lb FA
Pads	2002-3/96	D224	7807	Dayton; w/2.5" 2-piston caliper	8100 lb FA
REAR					
Pads	2007-3/98	D1032	7636	4-piston caliper, w/o wear sensors	
Pads	2002-3/98	D225	7818	Bendix; w/2.88" 2-piston caliper	
Pads	2002-3/98	D224	7807	Dayton; w/2.5" 2-piston caliper	
PARKING BRAKE					
Shoes	2007-3/96	PB647	2086D	Driveline config.	9 x 3
Shoes	2007-3/96	PB824	1556D	Drum-in-hat config.	11.7/8 x 3
W7T (EVR) w/Front Drums					CHEV W-SERIES
FRONT					
Shoes	1992-1987		1418		
REAR					
Shoes	1992-1987		1418		
COACHMEN MOTOR HOME					
CATALINA, LEPRECHAUN					COACHMEN
FRONT					
Pads	1998-1997	D411	7299	all with 4-wheel disc brakes	
Pads	1998-1995	D655	7535	All with front disc brakes	
Pads	1994-1992	D557	7536	All with front disc brakes	
Pads	1991-1976	D450	7330	All with front disc brakes	
REAR					
Pads	1998-1997	D411	7299	all with 4-wheel disc brakes	
CROWN, GILLIG - COACH & BUS					
CROWN, GILLIG (Various Models)					CROWN, GILLIG
FRONT					
Pads	non-dated	D155	7803	w/Kelsey Hayes (7803)	

Pads/Shoes	Years	Part No.	Lining	Description	Technical
Pads	non-dated	D171	7805	w/Kelsey Hayes (7805)	
Pads	non-dated	D268	7811	Meritor / Rockwell Air Disc Brake	
Pads	non-dated	D786	7854	Bosch (7854 w/.080 thickness)	
Pads	non-dated	D786A	7855	Bosch (7655 w/1.055 thickness)	
REAR					
Pads	non-dated	D171	7805	w/Kelsey Hayes (7805)	
Pads	non-dated	D268	7811	Meritor / Rockwell (7811)	
Pads	non-dated	D786	7851	Bosch (7854 w/.080 thickness)	
Pads	non-dated	D786A	7855	Bosch (7655 w/1.055 thickness)	
DAF (inc. DAF BOVA) Leyland DAF Trucks					
DAF					DAF
FRONT					
Pads	non-dated	F162	78W13S	Leyland DAF Trucks (inc. DAF BOVA)	
Pads	non-dated	F069A	78X4A	Leyland DAF Trucks (inc. DAF BOVA)	
Pads	non-dated	F067	78W23A	Leyland DAF Trucks (inc. DAF BOVA)	
MB220; MB230					DAF
FRONT					
Pads	Up to 1987	F062A	78X4A	Leyland DAF Trucks (inc. DAF BOVA)	
Pads	1984-Up	F067	78W23A	Leyland DAF Trucks (inc. DAF BOVA)	
MD230					DAF
FRONT					
Pads	1984-Up	F069	78X4A	Leyland DAF Trucks (inc. DAF BOVA)	
PSV's SWIFT					DAF
FRONT					
Pads	1/86-1/91	D494	7817A	OE caliper Lucas / Perrot 315mm disc	inc. DAF Bova
PSV's SBR 3000, DKSB, DKZ					DAF
FRONT					
Pads	1/87-on	F069A	78X4A	OE caliper Knorr vented 460 mm disc	w/o wear lead
PSV's FUTURA (BOVA)					DAF
FRONT					
Pads	1/95-on	F069A	78X4A	FHD 15.430, FHX 15.420, FLD 15.370	Knorr caliper
Pads	1/87-1/95	F067	78W23A	OE caliper Knorr vented 406 mm disc	w/o wear lead
ROADRUNNER 8.10, -13,-15					DAF
FRONT					
Pads	1/86-1/91	D494	7817A	OE caliper Lucas / Perrot 315mm disc	inc. DAF Bova
SB2300; SB2305					DAF
FRONT					
Pads	1989-1987	F062A	78X4A	Leyland DAF Trucks (inc. DAF BOVA)	
SB2700; SB2705					DAF
FRONT					
Pads	Up to 1987	F062A	78X4A	Leyland DAF Trucks (inc. DAF BOVA)	
SB3000; SBR3000					DAF
FRONT					
Pads	1987-1984	F069	78X4A	Leyland DAF Trucks (inc. DAF BOVA)	
FA45					DAF
FRONT					
Pads	1991-Up	D494	7817	Leyland DAF Trucks (inc. DAF BOVA)	
DENNIS					
JAVELIN					DENNIS
FRONT					
Pads	1991-Up	F073	78X9		
FIRE ENGINES RAPIER					DENNIS

Pads/Shoes	Years	Part No.	Lining	Description	Technical
FRONT					
Pads	1/91-Up	F070	78X6B	has sensor slot	
DODGE - Automotive					
DODGE POLICE / MAGNUM					DODGE
FRONT					
Pads	2007-2005	D1058	7965	Dodge Magnum; Performance H/D	All, R/T
Pads	2007	D1298	8415	Magnum SRT8	
Pads	2006-2005	D1056	7962	Dodge Magnum; except Performance H/D	All, SE, SXT
REAR					
Pads	2007-2005	D1057	7963	All, Dodge Magnum	All, R/T, SE, SXT
Pads	2007	D1057	8292	w/heavy-duty brakes	
PARKING BRAKE					
Shoes	2005	PB777	2195	Parking Brake Shoe	
DODGE - LIGHT DUTY TRUCKS - 1/2-Ton					
D100, 150 Pickup Truck					DODGE
FRONT					
Pads	2003	D966	7866	All	
Pads	2002-1998	D758	7627	All	
Pads	1993-1981	D269	7179		
REAR					
Pads	2003	D967	7867	All	
Shoes	2002-1998	723		All	11.03 x 2.25"
Shoes	1993-1985	S446	2025TD		11 x 2.1/2"
Shoes	1985	S445	2089T		10 x 2.1/2"
Shoes	1981	S446	2025TD		11 x 2.1/2"
DAKOTA					
					DODGE
FRONT					
Pads	2007-2005	D1084	7991		
Pads	2004-2003	D962	7861	All	
Pads	2002-2000	D820	7616		
Pads	1999-1997	D746	7616		
REAR					
Shoes	2006-2005	S922	1582	related to S853 2-shoe w/pin, 2-w/o pin	11.60 x 2.43"
Shoes	2004-2003	S853	1582	All	11.03 x 2.25"
Pads	2004-2003	D963	7863	All	
Shoes	2002-1993	538	2176		9 x 2.1/2"
Shoes	2002-1998	445	2089		10 x 2.1/2"
Shoes	1997-1991	445	2089		10 x 2.1/2"
Shoes	1997-1991	538	2176		9 x 2.1/2"
DURANGO PICKUP					
					DODGE
FRONT					
Pads	2007	D1084	7991	All	
Pads	2006-2003	D966	7868	All	
Pads	2002-2000	D820	7616	All	
Pads	1999-1998	D746	7616	All	
REAR					
Pads	2007-2003	D967	7867	All, V6 models	
Pads	2005	D898	7775	All, V8 models	
Pads	2004	D898	7775	All	
Pads	2003	D967	7867		
Shoes	2002-1998	723			11.03 x 2.25"
PARKING BRAKE					

Pads/Shoes	Years	Part No.	Lining	Description	Technical
Shoes	2003	PB771		Parking Brake Shoe	8.07 x 1.65"
RAM 1500 PICKUP					DODGE
FRONT					
Pads	2007-2006	D1084	7991	Ram 1500 Pick Up	
Pads	2007	D965	7865	Ram 1500 Mega Cab	
Pads	2006-2005	D1085	8291	SRT-10 models	
Pads	2005-2004	D1079	7974		
Pads	2004	D1054	7959	SRT-10 models	
Pads	2004-2003	D966	7866	All	except SRT-10
Pads	2001-2000	D842	7718	2WD	
Pads	2001-2000	D758	7627	4WD	
Pads	1999-1994	D369	7259		
REAR					
Pads	2007-2004	D1077	7982	SRT-10 models, Mega Cab	
Pads	2007-2005	D967	7867	1500	D898 Use D967
Pads	2004-2003	D967	7867	All	except SRT-10
Shoes	2001-2000	S734	2182T		11 x 2.1/4
Shoes	1999-1994	S462	2134ATD		11 x 2
PARKING BRAKE					
Shoes	2008	PB947	1637	Ram 1500	
Shoes	2007	PB854	2192	Ram 1500 Mega Cab	8.07 X 1.65"
Shoes	2003-2002	PB771	2192	4WD; parking brake shoe	8.07 X 1.65"
W150 Pickup Truck					DODGE
FRONT					
Pads	1993-1981	D269	7179		
REAR					
Shoes	1993-1984	S446	2025TD		11 x 2.1/2
B100, B150 VAN					DODGE
FRONT					
Pads	2003	D966	7866	All	
Pads	2002-1998	D758	7627	All	
Pads	1993-1981	D269	7179		
REAR					
Pads	2003	D967	7867	All	
Shoes	2002-1998	723		All	11.03 x 2.25"
Shoes	1993-1985	S446	2025TD		11 x 2.1/2
Shoes	1985	S445	2089T		10 x 2.1/2
Shoes	1981	S446	2025TD		11 x 2.1/2
B1500 VAN					DODGE
FRONT					
Pads	1998	D758	7627		
Pads	1997-1995	D269	7179		
REAR					
Shoes	1998-1995	S446	2025TD		
Shoes	1998	S734	2182T		
RAM 1500 VAN					DODGE
FRONT					
Pads	2003	D966	7866		
Pads	2002-1999	D758	7627		
REAR					
Pads	2003	D967	7897		
Shoes	2002-1999	S734	2182T		

Pads/Shoes	Years	Part No.	Lining	Description	Technical
DODGE - LIGHT DUTY TRUCKS - 3/4-Ton					
D200, D250 PICKUP					DODGE
FRONT					
Pads	1993-1981	D269	7179		
REAR					
Shoes	1993-1990	S446	2025TD		11 x 2.1/2
Shoes	1993-1981	S357	2146ATD		12 x 2.1/2
Shoes	1993-1981	S358	2140TD		12 x 3
RAM 2500 PICKUP					DODGE
FRONT					
Pads	2007-2003	D965	7864		
Pads	2002-2001	D859	7694		
Pads	2000	D859	7694		D821 Use D859
Pads	1999	D459	7339	4WD; exc. 7500 GVW	
Pads	1999	D370	7260	7500 GVW	D845-7260 Use D370
Pads	1998-1994	D459	7339	4WD; exc. 7500 GVW	
Pads	1998-1994	D370	7260	7500 GVW	
REAR					
Pads	2007-2006	D1077	7865		
Pads	2005-2003	D1096	7752	Correction D1096 was D1077	
Pads	2002-2001	D1096	7752	Correction D1096 was D1077	was D702
Shoes	2001-2000	S583	2171TD		12.1/8 x 3.1/2
Shoes	1999-1994	S451	2042D	Can use: 655-2042DBT	13 x 2.1/2
Shoes	1999-1994	S451	2042D	4WD; 3.5 Ton Axle (7500 lb. GVW)	
Shoes	1999-1994	S451	2042D	4WD; 4.5 Ton Axle (8800 lb. GVW)	
PARKING BRAKE					
Shoes	2007	PB854	2192-S/P	Parking Brake	8.07 X 1.65"
Shoes	2001-2000	PB771	2192-S/P	Parking Brake	8.07 X 1.65"
W250 PICKUP					DODGE
FRONT					
Pads	1993-1981	D149	7081	4500 lb., Front Axle	
Pads	1993-1981	D269	7179	Except 4500 lb., Front Axle	
REAR					
Shoes	1993-1990	S446	2025TD		11 x 2.1/2
Shoes	1993-1981	S357	2146ATD		12 x 2.1/2
B250 VAN					DODGE
FRONT					
Pads	2003-1998	D655	7677	All	
Pads	1997-1984	D269	7179		
REAR					
Shoes	2003-1998	583	2171		12.1/8 x 3.1/2"
Shoes	1997-1984	357	2146		12 x 2.1/2"
Shoes	1997-1984	S446	2025TD		11 x 2.1/2
Shoes	1997-1984	358	2140		12 x 3"
B2500 VAN					DODGE
FRONT					
Pads	1998	D655	7535		
Pads	1997-1995	D269	7179		
REAR					
Shoes	1998-1995	S446	2025TD		11 x 2.1/2
RAM 2500 VAN					DODGE
FRONT					
Pads	2003-1999	D655	7535		

Pads/Shoes	Years	Part No.	Lining	Description	Technical
REAR					
Shoes	2003-1999	S583	2171TD		
Shoes	2002-1999	S734	2182T		
DODGE - LIGHT DUTY TRUCKS - 1-Ton					
D300, D350 PICKUP					DODGE
FRONT					
Pads	1993-1981	D269	7179		
REAR					
Shoes	1993-1983	S357	2146ATD		12 x 2.1/2
Shoes	1993-1981	S358	2140TD		12 x 3
Shoes	1981	S357	2146ATD		12 x 2.1/2
RAM 3500 PICKUP					DODGE
FRONT					
Pads	2007-2003	D965	7864		5.9L, 6.7L
Pads	2002-2001	D859	7694		
Pads	2000	D821	N/A		
Pads	1999	D459	7339		4WD
Pads	1998-1994	D459	7339		4WD
REAR					
Pads	2007-2006	D1077	7865	Ram 3500	5.9L, 6.7L
Pads	2005-2001	D1096	7752	Ram 3500	was D702
Shoes	2001-2000	S583	2140TD		12.1/8 x 3.1/2
Shoes	1999-1994	451	2146D	Can use: S655-ATD	13 x 2.1/2
Shoes	1999-1994	452	2157D	Can use: S656-AT	13 x 3.1/2
PARKING BRAKE					
Shoes	2007	PB854	2192-S/P	Ram 3500 5.9L, parking brake	8.07 X 1.65"
Shoes	2007	PB854	2192-S/P	Ram 3500 6.7L, parking brake	8.07 X 1.65"
Shoes	2003-2000	S771	2192-S/P	Parking Brake	8.07 X 1.65"
RAM 4500 PICKUP					DODGE
FRONT					
Pads	2008	D1335	8446		
REAR					
Pads	2008	0			
RAM 5500 PICKUP					DODGE
FRONT					
Pads	2008	D1335	8446		
REAR					
Pads	2008	0			
W350 PICKUP					DODGE
FRONT					
Pads	1993-1990	D149	7081		
Pads	1989-1988	D149	7081	w/SRW (4500 lb. front axle)	w/DRW
Pads	1989-1982	D269	7179	w/SRW except 4500 lb. front axle	
Pads	1987-1982	D149	7081	w/SRW (4500 lb. front axle)	w/DRW
REAR					
Shoes	1993-1984	S358	2140TD		12 x 3
Shoes	1993-1981	S357	2146ATD		12 x 2.1/2
B300, B350 VAN					DODGE
FRONT					
Pads	2003-1998	D655	7677	All	
Pads	1997-1984	D269	7179		
REAR					
Shoes	2003-1998	583	2171		12.1/8 x 3.1/2"

Pads/Shoes	Years	Part No.	Lining	Description	Technical
Shoes	1997-1984	S357	2146ATD		12 x 2.1/2
Shoes	1997-1984	446	2025		11 x 2.1/2"
Shoes	1997-1984	S358	2140TD		12 x 3
B3500 VAN					DODGE
FRONT					
Pads	1998	D655	7535		
Pads	1997-1995	D269	7179		
REAR					
Shoes	1998	S358	2140TD		12 x 3
Shoes	1997-1995	S357	2146ATD		12 x 2.1/2
Shoes	1997-1995	S358	2140TD		12 x 3
RAM 3500 VAN					DODGE
FRONT					
Pads	2003-1999	D655	7535		
REAR					
Shoes	2003-1999	S583	2171TD		12.1/8 x 3.1/2
FLXIBLE COACH (NEW FLYER BUS)					
METRO COACH					FLEXIBLE COACH
FRONT					
Shoes	1992-1985		4228F		14.5 x 6.00 x .750
REAR					
Shoes	1992-1985		4592A		14.5 x 10 x .750
TRANSIT COACH (NEW FLYER BUS)					FLEXIBLE COACH
FRONT					
Shoes	non-dated		4227E	Various Models	14.5 X 4
Shoes	non-dated		4541B	Various Models	14.5 X 8 X .750
Shoes	non-dated		4398D	Various Models	14.5 X 5 X .750
Shoes	1992-1985		4228F	Metro Coach (S-cam type)	14.5 X 6 X .750
Shoes	non-dated		4690	front wedge	15.125 x 6 x .813
REAR					
Shoes	non-dated		4541C	same as 4541B, but no spring holes	14.5 x 8 x .750
Shoes	non-dated		4541B	Various Models	14.5 x 8 x .750
Shoes	1992-1985		4592A	2004	14.5 X 10 X .750
Shoes	non-dated		4691	rear wedge	15.125 x 10 x .813
OVERSIZE BLOCK					
Shoes	non-dated		Lining	All Available in Standard	
Shoes	non-dated		Lining	X = 1st Oversize	
Shoes	non-dated		Lining	XX = 2nd Oversize (Y)	
FORD * AUTOMOTIVE & Light Duty Vehicles					
CROWN VICTORIA (POLICE)					FORD
FRONT			LTD FULL SIZE, POLICE CROWN VIC		
Pads	2008-2003	D931	7834		includes Taxi / Police
Pads	2002-1998	D748	7617	1" & 1.75" inboard piston clip diameter	includes Taxi / Police
Pads	1997-1995	D659	7537	1" & 1.75" inboard piston clip diameter	D678 Use D659
Pads	1994-1992	D499	7501	All, Police	
REAR					
Pads	2008-2003	D1040	7944	same as D932 except narrow thickness	includes Taxi / Police
Pads	2004-2003	D932	7835		Police models
Pads	2002-1999	D674	7555	1" & 1.75" inboard piston clip diameter	includes Taxi / Police
Pads	1998-1997	D690	7565	All, Police	
PARKING BRAKE					
Park	2006	S920	1622	Parking brake, 06 Crown Vic	6W1Z-2N712-A

Pads/Shoes	Years	Part No.	Lining	Description	Technical
Park	2002-1996	PB745	1484	Parking Brake	7.24 x 1.18"
Park	1995-1991	PB725	1497	Parking Brake	7.09 x 1.11
ESCAPE					FORD
FRONT					
Pads	2007-2006	D843	7719	FWD	includes: Hybrid
Pads	2006-2005	D1047	7950	All Disc Brake	5L8Z2001AA
Pads	2005-2001	D843	7719		
REAR					
Shoes	2007-2006	S760	1524	FWD, optional 4WD	9 x 1.63"
Pads	2007-2005	D1055	7961	4WD	includes: Hybrid
Shoes	2005-2001	S760	1524		9 x 1.63"
EXPLORER					FORD
FRONT					
Pads	2007-2006	D1158	8268	All	
Pads	2005-2002	D833	7706	All	
Pads	2001	D652	7532	All, exc Sport, Sport Trac	
Pads	2001	D833	7706	All, Sport	
Pads	2000-1995	D652	7532	All	
Pads	1994-1991	D249	7125	All	
REAR					
Pads	2007-2006	D1109	8214	All	
Shoes	2008	S936	1629	4-cyl. Model	
Pads	2005	D881	7758	All	
Pads	2004-2003	D881	7758	All, exc Sport, Sport Trac	
Pads	2003	D325	7502	All, Sport	
Pads	2002	D881	7758	All, exc Sport, Sport Trac	
Pads	2002-1995	D667	7545	All, Sport	
Shoes	1994-1991	581	2089AT	All	10 x 2.50"
EXPLORER Sport Trac					FORD
FRONT					
Pads	2007-2006	D1158	8268		
Pads	2005-2001	D833	7793	All, Sport Trac	
REAR					
Pads	2007-2006	D1109	7760		
Pads	2005	D881	7793	All, Sport Trac	
Pads	2004-2003	D667	7545	All, Sport Trac	
Shoes	2002-2001	582	2141AT	All, Sport Trac	11.03 x 2.25"
EXPEDITION					FORD
FRONT					
Pads	2007	D1278	8394		
Pads	2006-2003	D934	7837		
Pads	2002-1997	D702	7576		
REAR					
Pads	2007	D1279	8395		
Pads	2006-2003	D935	838		
Pads	2002-1999	D879	7584		(Late)
Pads	2002-1997	D711	7584		(Early)
PARKING BRAKE					
Park	2002-1997	PB752	1517	Parking Brake	9 x 1.18"
EXCURSION					FORD
FRONT					
Pads	2005-2000	D824	7625		D756 S/S D824
REAR					

Pads/Shoes	Years	Part No.	Lining	Description	Technical
Pads	2005-2000	D757	7626		
PARKING BRAKE					
Park	2005-2000	PB771	2191-S/P	Parking Brake	8.07 x 1.65"
FORD * Light Duty Trucks * F/E-150, 1/2-Ton					
F-150 (F100) Pickup					FORD
FRONT					
Pads	2007-2005	D1083	7919		
Pads	2005-2004	D1011	7915	All, new style, 11th VIN character K or N	
Pads	2004-2000	D702	7576	Old body style, w/11th VIN character B	7700 lb GVW
Pads	2004-2000	D1032	7558	Old body style, exc. 11th VIN character B	exc. 7700 lb GVW
Pads	2002-1999	D702	7576	All Lightning Series	
Pads	1998-1997	D1032	7558	All, w/Rear Drum Brakes	D679 S/S D1032
Pads	1996-1994	D632	7503	All	
Pads	1993-1987	D375	788A	All	
REAR					
Pads	2007-2004	D1012	7915	All, new style, 11th VIN character K or N	
Pads	2005-1999	D711	7584	All	
Pads	2000-1997	S723	2182T	11-1/32 x 2-1/4 brake, bonded	11-1/32 x 2-1/4
Pads	1996-1994	S263	2121T	11-1/32 x 2-1/4 brake; riveted	11-1/32 x 2-1/4
Pads	1993-1987	S263	2121T	11-1/32 x 2-1/4 brake; riveted	11-1/32 x 2-1/4
PARKING BRAKE					
Shoes	2007-1997	PB752		parking brake	9 x 1.18"
FORD VAN - 1/2 TON VAN					
E-150 ECONOLINE VAN					FORD
FRONT					
Pads	2008	D1328	8440		
Pads	2006-2004	D1045	7948		4C2Z2001AA
Pads	2003-1997	D1045	7948	can use: D632-7503	
Pads	1996-1994	D632	7503		can use: D1045
Pads	1993-1987	D375	788A		
REAR					
Pads	2008	D1329	8441		
Pads	2006-2004	D1046	7949	5C2Z2200A	4C2Z2200AA
Shoes	2006-2004	S723	2182T		11.03 x 2.25"
Shoes	2003-1997	S723	2182T		11.03 x 2.25"
Shoes	1996-1994	582	2141AT		11.1/32 x 2.1/4"
Shoes	1993-1987	582	2141AT		11.1/32 x 2.1/4"
PARKING BRAKE					
Shoes	2008	PB854	2192		
Shoes	2007	PB852	1581		
Shoes	2005	PB852	1581		
FORD * Light Duty Trucks * F/E-250, 3/4-Ton					
F-250 (F200) Pickup					FORD
FRONT					
Pads	1999-1998	D702	7576	All	
Pads	1997	D655	7535	All, over 8500 lb GVW	
Pads	1997	D702	7576	All, under 8500 lb GVW	
Pads	1996-1995	D655	7535	All	
Pads	1994-1987	D120	7054	All	
REAR					
Pads	1999-1998	D711	7584	All	

Pads/Shoes	Years	Part No.	Lining	Description	Technical
Shoes	1999-1998	316	2131T	All	12 x 2.1/2"
Shoes	1997	314	2137	All, over 8500 lb GVW	12 x 3"
Shoes	1997	316	2131T	All, over 8500 lb GVW	12 x 2.1/2"
Shoes	1997	316	2131T	All, under 8500 lb GVW	12 x 2.1/2"
Shoes	1997	D711	7584	All, under 8500 lb GVW	
Shoes	1996-1995	316	2131T	All	12 x 2.1/2"
Shoes	1996-1995	314	2137		12 x 3"
Shoes	1994-1987	316	2131T	All	12 x 2.1/2"
Shoes	1994-1987	314	2137		12 x 3"
PARKING BRAKE					
Shoes	1999-1997	PB752		parking brake shoe, sold as each	9 x 1.18"
F-250 SUPER DUTY PICKUP FORD					
FRONT					
Pads	2008	D1333	7974		
Pads	2007-2005	D1069	7974	All, DRW and SRW models	
Pads	2004-1999	D824	7625	All	D756 S/S D824
REAR					
Pads	2008	D1334	7973		
Pads	2007-2005	D1068	7973	All, Light Duty Applications (SRW)	
Pads	2006-2005	D1067	7973	All, Heavy Duty Applications (DRW)	5C3Z2200BA
Pads	2004-1999	D757	7626	All	
PARKING BRAKE					
Shoes	2006-1999	PB771	2192	Parking Brake Shoe	8.07 x 1.65
E-250 ECONOLINE VAN FORD					
FRONT					
Pads	2008	D1328	8440		
Pads	2007-1995	D655	7535	All	
Pads	1994-1992	D557	7436		DRW
Pads	1991-1981	D450	7330		D120 use: D450
REAR					
Pads	2008	D1329	8441		
Pads	2007-1999	D802	7673		
Shoes	2006-1995	S358	2140TD	314/2137	12 x 3"
Shoes	2006-1995	S357	2146ATD	316/2131T	12 x 2.1/2"
Shoes	1994-1992	S357	2146ATD	316/2131T	12 x 2.1/2"
Shoes	1992	S358	2140TD	314/2137	12 x 3"
Shoes	1991-1987	S358	2140TD	314/2137	12 x 3"
Shoes	1991-1987	S357	2146ATD	316/2131T	12 x 2.1/2"
PARKING BRAKE					
Shoes	2008-2007	PB854	2192		
Shoes	2002-1999	PB752		Parking Brake	9 x 1.18"
FORD * Light Duty Trucks * F/E-350, 1-Ton					
F-350 (F300) Pickup FORD					
FRONT					
Pads	1997-1995	D655	7535	All	
Pads	1994-1991	D450	7330	All, DRW	D120 use D450
Pads	1994-1987	D450	7330	All, DRW, SRW	D120 use D450
REAR					
Shoes	1997-1995	314	2137	All	12 x 3"
Shoes	1997-1995	583	2078	All	12.1/8" x 3.1/2"
Shoes	1994-1991	583	2078	All	12.1/8" x 3.1/2"
Shoes	1994-1987	583	2078	All, DRW	12.1/8" x 3.1/2"
Shoes	1994-1987	314	2137	All, SRW	12 x 3"

Pads/Shoes	Years	Part No.	Lining	Description	Technical
F-350 SUPER DUTY Pickup					FORD
FRONT					
Pads	2008	D1333	7974		
Pads	2007-2005	D1069	7974	All, DRW and SRW models	
Pads	2004-1999	D756	7625	All	D756 Use D824
Pads	1997-1988	D411	7299	All	
REAR					
Pads	2008	D1334	7974		
Pads	2007-2005	D1067	7973	All, DRW	
Pads	2007-2005	D1068	7973	All, SRW	
Pads	2004-1999	D757	7626	All	
Pads	1997-1988	D411	7299	All	
PARKING BRAKE					
Shoes	2004-1999	PB771	2192	Parking Brake	8.07 x 1.65
E SUPER DUTY VAN					FORD
FRONT					
Pads	2008	D1328	8440		8C2Z2001C
Pads	2005-1996	D655	7535	All	
REAR					
Pads	2008	D1329	8441		
Pads	2005-1996	D802	7673		
PARKING BRAKE					
Shoes	2007	PB854	2192		
Shoes	2004-1996	PB771	2192	Parking Brake	9.53 x 2.44"
E-350 ECONOLINE VAN					FORD
FRONT					
Pads	2008	D1328	8440		
Pads	2007-1995	D655	7535		
Pads	1994-1992	D557	7436		
Pads	1991-1987	D450	7330		D120 use: D450
REAR					
Pads	2008	D1329	8441		
Pads	2007-1996	D802	7576		
Shoes	2004-1995	314	2137		12 x 2.50"
Shoes	1998-1995	583	2078T		12.1/8 x 3.1/2"
Shoes	1994-1992	314	2137		12 x 2.50"
Shoes	1994-1992	583	2078T		12.1/8 x 3.1/2"
Shoes	1991-1987	583	2078T	All, DRW	12.1/8 x 3.1/2"
Shoes	1991-1987	314	2137	All, SRW	12 x 2.50"
PARKING BRAKE					
Shoes	2006-1999	PB771	2192	Parking Brake	8.07 x 1.65
FORD LIGHT DUTY TRUCKS - F/E-450 SERIES					
F-450 Pickup					FORD
FRONT					
Pads	2008	D1328	8440		
Pads	2006-2005	D1066	7972		5C3Z2001BA
Pads	2004-1990	D777	7644		
REAR					
Pads	2008	D1329	8441		
Pads	2006-2005	D1066	7972		5C3Z2001BA
Pads	2004-1999	D777	7644		
Pads	1997-1990	D411	7299		
PARKING BRAKE					

Pads/Shoes	Years	Part No.	Lining	Description	Technical
Shoes	2005	PB847	1157	w/DIH	9.56 x 2.45
Shoes	2004-2003	PB772	2193		9.53 x 2.44
Shoes	2000-1999	PB772	2193	w/DIH	9.53 x 2.44
F-450 SUPER DUTY Pickup					FORD
FRONT					
Pads	2007-2005	D1066	7972	All	
Pads	2004-1999	D777	7644	All	
Pads	1998-1988	D411	7299	All	
REAR					
Pads	2007-2005	D1066	7972	All	
Pads	2004-1999	D777	7644	All	
Pads	1998-1988	D411	7299	All	
PARKING BRAKE					
Shoes	2007-2005	PB847	1577		
Shoes	2004-1999	PB772	2193	Parking Brake	9.53" x 2.44"
E-450 ECONOLINE, Super Duty VAN					FORD
FRONT					
Pads	2008	D1328	8440		8C2Z2001C
Pads	2007-1996	D655	7535		
REAR					
Pads	2008	D1330	8442		
Pads	2007-1996	D411	7299		
PARKING BRAKE					
Shoes	2005	PB647	2086	Parking Brake	8.07 x 1.65
Shoes	2004-1999	PB771	2192	Parking Brake	8.07 x 1.65
FORD E SUPER DUTY - E-450 CUTAWAY					
E-450 CUTAWAY, E Super Duty					FORD
FRONT					
Pads	2007-1996	D411	7299	with outboard pad hold down clip	
Pads	2007-1996	D655	7535	without outboard pad hold down clip	
REAR					
Pads	2007-1996	D411	7299	with outboard pad hold down clip	
Pads	2007-1996	D655	7535	without outboard pad hold down clip	
F47 Stripped Chassis 1-ton					
F47 Stripped Chassis					FORD
FRONT					
Pads	2008-2005	D1066	7972	Caliper 11592 (Left), 11591 (Right)	
Pads	2004-1999	D777	7644		
Pads	1998-1988	D411	7299		
REAR					
Pads	2008-2005	D1066	7972	Caliper 11592 (Left), 11591 (Right)	
Pads	2004-1999	D777	7644		
Pads	1998-1988	D411	7299		
FORD LIGHT DUTY TRUCKS - F550 SERIES					
F-550 Pickup					FORD
FRONT					
Pads	2008-2005	D1066	7972	All	5C3Z2001BA
Pads	2004-1999	D777	7644	All	
Pads	1998-1990	D411	7299	All	
REAR					
Pads	2008-2005	D1066	7972		5C3Z2001BA

Pads/Shoes	Years	Part No.	Lining	Description	Technical
Pads	2004-1999	D777	7644		
Pads	1997-1990	D411	7299		
PARKING BRAKE					
Shoes	2007-2005	S847	1157	w/DIH	9.56 x 2.45
Shoes	2004-1999	S772	2193	w/o ABS only, 242 x 62mm	9.53 x 2.44
F-550 SUPER DUTY 2WD, 4WD FORD					
FRONT					
Pads	2008-2005	D1066	7972		
Pads	2004-1999	D777	7644	Standard and Heavy Duty models	
REAR					
Pads	2008-2005	D1066	7972		
Pads	2004-1999	D777	7644	Standard and Heavy Duty models	
E-550 ECONOLINE VAN FORD					
FRONT					
Pads	2007-2002	D777	7644	E-550 Econoline	
REAR					
Pads	2007-2002	D777	7644	E-550 Econoline	
F53 STRIPPED CHASSIS FORD					
FRONT					
Pads	2006-2005	D1066	7972	motorhome chassis	
Pads	2004-1999	D777	7644	motorhome chassis	
Pads	1998-1988	D411	7299	stripped motorhome chassis	
REAR					
Pads	2006-2005	D1066	7972	motorhome chassis	
Pads	2004-1999	D777	7644	motorhome chassis	
Pads	1998-1988	D411	7299	stripped motorhome chassis	
PARKING BRAKE					
Shoes	2000-1999	S772	2193	w/DIH	9.53 x 2.44
F59 STRIPPED CHASSIS FORD					
FRONT					
Pads	2006-2005	D1066	7972	motorhome chassis	
Pads	2004-1999	D777	7644	motorhome chassis	
Pads	1998-1989	D411	7299	stripped motorhome chassis	
REAR					
Pads	2006-2005	D1066	7972	motorhome chassis	
Pads	2004-1999	D777	7644	motorhome chassis	
Pads	1997-1989	D411	7299	motorhome chassis, stripped	
FORD * MEDIUM-DUTY TRUCKS					
600, 6000 SERIES FORD MEDIUM					
FRONT					
Pads	1998-1984	D236	7149	Dayton; w/2.88"; 2-piston caliper	B600, F600 series
Pads	1998-1984	D224	7807	Dayton; w/2.5"; 2-piston caliper	fits: B, F, LN, N series
REAR					
Shoes	1998-1984	S542	4528AD	Lucas * fits: B, F, LN, N series	15 x 5
Shoes	1998-1984	S543	4504AD	Lucas * fits: B600, F600 series	15 x 6
Shoes	1998-1984	S544	4505AD	Lucas * fits: B600 series	15 x 7
Shoes	1998-1984	S543	4504AD	fits: All, CF6000	15 x 6
700, 7000 SERIES FORD MEDIUM					
FRONT					
Pads	1998-1984	D236	7809	Dayton; w/2.88"; 2-piston caliper	All, B700
Pads	1998-1994	D224	7807	Dayton; w/2.5"; 2-piston caliper	fits: B700, F700
Shoes	1998-1984	D224	7807	Dayton; w/2.5"; 2-piston caliper	fits: F700, LN7000
Shoes	1998-1984	D236	7809	Dayton; w/2.88"; 2-piston caliper	fits: F700, LN7000

Pads/Shoes	Years	Part No.	Lining	Description	Technical
REAR					
Shoes	1998-1994	542	4528AD	All, B700, F700 w/D224 front pads	15 x 5"
Shoes	1998-1984	543	4504AD	All, B700 w/D236 front pads	15 x 6"
Shoes	1998-1984	544	4505AD	All, B700 w/D236 front pads	15 x 7"
Shoes	1998-1984	544	4505AD	All, CF7000	15 x 7"
Shoes	1998-1984	543	4504AD	All, F700, LN7000 w/D224 front pads	15 x 6"
Shoes	1998-1984	544	4505AD	All, F700, LN7000 w/D236 front pads	15 x 7"
800, 850, 8000 SERIES					FORD MEDIUM
FRONT					
Pads	1998-1989	D379	7814	All, CF8000	
Pads	1998-1984	D236	7809	Dayton; w/2.88"; 2-piston caliper	All, F800
Pads	1998-1984	D224	7141	All, F800, L8000, LN8000	
REAR					
Shoes	1998-1989	S543	4504AD	All, CF8000	15 x 6
Shoes	1998-1984	S544	4505AD	All, F800	15 x 7
Shoes	1998-1984	S543	4504AD	All, F800, L8000, LN8000	15 x 6
CF600 CARGO					FORD MEDIUM
FRONT					
Pads	1992-1986	D379	7814	9, 12M FA; w/square-shaped pad	
REAR					
Shoes	1992-1986	S544	4505AD	Lucas	15 x 7
CF700 CARGO					FORD MEDIUM
FRONT					
Pads	1997-1986	D379	7814	w/squared-shaped pad	9, 12M FA
Pads	1989-1986	D224	7809	w/2.5" 2-piston caliper	w/curved pad
Pads	1989-1986	D236	7807	Dayton; w/2.88"; 2-piston caliper	w/curved pad
Shoes	1997-1990	4693	4693	w/air brakes; Bendix	15 x 4
Shoes	1997-1990	4702Q	4702	w/air brakes; Meritor	15 x 4
REAR					
Shoes	1997-1986	S544	4505AD	Lucas	15 x 7
Shoes	1997-1990	4707Q	4707	w/air brakes; Meritor Q Plus	16.1/2 x 7
Shoes	1997-1990	4515Q	4515E	w/air brakes; Meritor Q	16.1/2 x 7
CF800 CARGO					FORD MEDIUM
FRONT					
Pads	1997-1986	D379	7814	w/squared-shaped pad	9, 12M FA
Pads	1989-1988	D224	7809	w/2.5" 2-piston caliper	w/curved pad
Pads	1989-1988	D236	7807	Dayton; w/2.88"; 2-piston caliper	w/curved pad
Shoes	1997-1990	4693	4693	w/air brakes; Bendix	15 x 4
Shoes	1997-1990	4702Q	4702	w/air brakes; Meritor	15 x 4
REAR					
Shoes	1997-1990	S544	4505AD	Lucas	15 x 7
Shoes	1997-1990	4707Q	4707	w/air brakes; Meritor Q Plus	16.1/2 x 7
Shoes	1997-1990	4515Q	4515E	w/air brakes; Meritor Q	16.1/2 x 7
F600 FORD Truck					FORD MEDIUM
FRONT					
Pads	1998-1984	D236	7809	Dayton; w/2.88" 2-piston caliper	
Pads	1998-1984	D224	7807	Dayton; w/2.5" 2-piston caliper	
Shoes	1994-1990	4693	4693	w/air brakes; Bendix	15 x 4
REAR					
Shoes	1994-1984	S542	4528AD	Lucas	15 x 5
Shoes	1994-1984	S543	4504AD	Lucas	15 x 6
Shoes	1994-1990	S544	4505AD	Lucas	15 x 7
Shoes	1994-1990	4707Q	4707	w/air brakes; Meritor Q Plus	16.1/2 x 7

Pads/Shoes	Years	Part No.	Lining	Description	Technical
Shoes	1994-1990	4515Q	4515E	w/air brakes; Meritor Q	16.1/2 x 7
Shoes	1989-1968	S401	4647D	Kelsey Hayes; w/Auto-Adj.	15 x 4
F650 FORD Truck					FORD MEDIUM
FRONT					
Pads	2008-2004	D786	7654	w/2.6" 2-piston caliper	Bendix Caliper
Pads	2008-2004	D786A	7655	w/2.88" 2-piston caliper	
Pads	2003-2000	D1032	7636	Dayton; w//4-piston caliper	D769 use: D1032
Pads	2003-2001	D224	7807	Dayton; w/2.5" 2-piston caliper	
Pads	2003	D786	7654	Fits: Low Profile Tow Trucks	
Shoes	2005-2000	4702Q	4702	w/air brakes; Meritor Q Plus	15 x 4
REAR					
Pads	2007-2004	D786	7654	w/2.6" 2-piston caliper	
Pads	2007-2004	D786A	7655	w/2.88" 2-piston caliper	
Pads	2003-2000	D1032	7636	Dayton; w//4-piston caliper	w/66mm or 70mm pist
Pads	2003-2001	D224	7807	Dayton; w/2.5" 2-piston caliper	
Pads	2003	D786A	7655	Fits: Low Profile Tow Trucks	
Shoes	2005-2000	4707Q	4707	w/air brakes; Meritor Q Plus	16.1/2 x 7
Shoes	2005-2000	4515Q	4515E	w/air brakes; Meritor Q	16.1/2 x 7
F700 FORD TRUCK					FORD MEDIUM
FRONT					
Pads	1998-1984	D236	7809	Dayton; w/2.88" 2-piston caliper	
Pads	1998-1984	D224	7807	Dayton; w/2.5" 2-piston caliper	
Shoes	1998-1990	4693	4693	w/air brakes; Bendix	15 x 4
Shoes	1998-1990	4702Q	4702	w/Air Brakes; Meritor Q Plus	15 x 4
Shoes	1989-1968	S321	1245AD	Wagner; w/Auto-Adj.	15 x 3
REAR					
Shoes	1998-1984	S542	4528AD	Lucas	15 x 5
Shoes	1998-1984	S543	4504AD	Lucas	15 x 6
Shoes	1998-1984	S544	4505AD	Lucas	15 x 7
Shoes	1998-1990	4707Q	4707	w/air brakes; Meritor Q Plus	16.1/2 x 7
Shoes	1998-1990	4515Q	4515E	w/air brakes; Meritor Q	16.1/2 x 7
F750 FORD TRUCK					FORD MEDIUM
FRONT					
Pads	2008-2003	D786A	7655	w/2.88" 2-piston caliper	
Pads	2008-2003	D786	7654	w/2.6" 2-piston caliper	
Pads	2003-2000	D1032	7636	Dayton; w//4-piston caliper	can use D769-7636
Pads	2003-2001	D224	7807	Dayton; w/2.5" 2-piston caliper	
Shoes	2005-2000	4702Q	4702	w/air brakes; Meritor Q Plus	15 x 4
REAR					
Pads	2007-2004	D786A	7655	w/2.88" 2-piston caliper	
Pads	2007-2004	D786	7654	w/2.6" 2-piston caliper	
Pads	2003-2000	D1032	7636	Dayton; w//4-piston caliper	can use D769-7636
Pads	2003-2000	D224	7807	Dayton; w/2.5" 2-piston caliper	
Shoes	2005-2000	4707Q	4707	w/air brakes; Meritor Q Plus	16.1/2 x 7
Shoes	2005-2000	4515Q	4515	w/air brakes; Meritor Q	16.1/2 x 7
F800 FORD TRUCK					FORD MEDIUM
FRONT					
Pads	1999-1983	D236	7809	Dayton; w/2.88" 2-piston caliper	
Pads	1999-1983	D224	7807	Dayton; w/2.5" 2-piston caliper	
Shoes	1999-1990	4702Q	4702	w/Air Brakes; Meritor Q Plus	15 x 4
Shoes	1999-1990	S321	1245AD	Wagner; w/Auto-Adj.	15 x 3
Shoes	1989-1968	S361	2060D	Kelsey Hayes; w/Auto-Adj.	14 x 2.1/2
REAR					

Pads/Shoes	Years	Part No.	Lining	Description	Technical
Shoes	1999-1984	S542	4528AD	Lucas	15 x 5
Shoes	1999-1984	S543	4504AD	Lucas	15 x 6
Shoes	1999-1984	S544	4505AD	Lucas	15 x 7
Shoes	1999-1990	4707Q	4707	w/air brakes; Meritor Q Plus	16.1/2 x 7
Shoes	1999-1990	4515Q	4515	w/air brakes; Meritor Q	16.1/2 x 7
FT800 FORD TRUCK					FORD MEDIUM
FRONT					
Pads	1998-1983	D236	7809	Dayton; w/2.88" 2-piston caliper	
Pads	1998-1983	D224	7807	Dayton; w/2.5" 2-piston caliper	
REAR					
Shoes	1998-1983	S542	4528AD	Lucas	15 x 5
Shoes	1998-1983	S543	4504AD	Lucas	15 x 6
Shoes	1998-1983	S544	4505AD	Lucas	15 x 7
FT900 FORD TRUCK					FORD MEDIUM
FRONT					
Pads	1994-1983	D236	7809	Dayton; w/2.88" 2-piston caliper	
REAR					
Shoes	1994-1983	S542	4528AD	Lucas	15 x 5
Shoes	1994-1983	S543	4504AD	Lucas	15 x 6
Shoes	1994-1983	S544	4505AD	Lucas	15 x 7
L800 Louisville Conventional					FORD MEDIUM
FRONT					
Pads	1994-1984	D224	7807	Dayton; w/2.5" 2-piston caliper	
Pads	1994-1984	D236	7809	Dayton; w/2.88" 2-piston caliper	
REAR					
Shoes	1994-1984	S542	4528AD	Lucas	15 x 5
Shoes	1994-1984	S543	4504AD	Lucas	15 x 6
Shoes	1994-1984	S544	4505AD	Lucas	15 x 7
L900 Louisville Conventional					FORD MEDIUM
FRONT					
Pads	1994-1984	D224	7807	Dayton; w/2.5" 2-piston caliper	
Pads	1994-1984	D236	7809	Dayton; w/2.88" 2-piston caliper	
REAR					
Shoes	1994-1984	S542	4528AD	Lucas	15 x 5
Shoes	1994-1984	S543	4504AD	Lucas	15 x 6
Shoes	1994-1984	S544	4505AD	Lucas	15 x 7
LCF450, LCF550					FORD MEDIUM
FRONT					
Pads	2007-2006	D1066	7972		
REAR					
Pads	2007-2006	D1066	7972		
LT, LTL900 Short					FORD MEDIUM
FRONT					
Pads	1994-1984	D236			
REAR					
Shoes	1994-1984	S544	4505AD		
LTS800 Short					FORD MEDIUM
FRONT					
Pads	1994-1984	D224	7807	Dayton; w/2.5" 2-piston caliper	
Pads	1994-1984	D236	7809	Dayton; w/2.88" 2-piston caliper	
REAR					
Shoes	1994-1984	S544	4505AD	Lucas	15 x 7
LTS 900 Short					FORD MEDIUM

Pads/Shoes	Years	Part No.	Lining	Description	Technical
FRONT					
Pads	1994-1984	D236	7809	Dayton; w/2.88" 2-piston caliper	
REAR					
Shoes	1994-1984	S544	4505AD	Lucas	15 x 7
FREIGHTLINER TRUCK					
FL106 BUSINESS CLASS					FREIGHTLINER
FRONT					
Shoes	2004-1995	4702Q	4702	w/Air Brake; Meritor Q Plus	15 x 4
Shoes	2004-1995	1308Q	138T	w/Air Brake; Meritor Q	15 x 4
REAR					
Shoes	2004-1995	4707Q	4707	w/air brakes; Meritor Q Plus	16.1/2 x 7
Shoes	2004-1995	4515Q	4515E	w/air brakes; Meritor Q	16.1/2 x 7
FL50, FL60, FL70 BUSINESS CLASS					FREIGHTLINER
FRONT					
Pads	2005-1992	D184	7815	Bendix; with one or two piston caliper	
Pads	2005-1992	D225	7818	Bendix; w/2.88" 2-piston caliper	
REAR					
Pads	2005-1992	D184	7815	Bendix; with one or two piston caliper	
Pads	2005-1992	D225	7818	Bendix; w/2.88" 2-piston caliper	
FW700, M2 100, MT45					FREIGHTLINER
FRONT					
Pads	2006-2004	D786	7654	Bosch w/2.60" piston	cast # 4153269
Pads	2006-2004	D786A	7655	Bosch w/2.87" piston	cast # 4153222
M2 106 BUSINESS CLASS					FREIGHTLINER
FRONT					
Pads	2008-2004	D786	7654	Bosch w/2.60" piston	cast # 4153269
Pads	2008-2004	D786A	7655	Bosch w/2.87" piston	cast # 4153222
REAR					
Pads	2008-2004	D786	7654	Bosch w/2.60" piston	cast # 4153269
Pads	2008-2004	D786A	7655	Bosch w/2.87" piston	cast # 4153222
M2 112 BUSINESS CLASS					FREIGHTLINER
FRONT					
Shoes	2005-2004	4702Q	4702	w/air brakes; Meritor Q Plus	16.1/2 x 7
Shoes	2005-2004	1308Q	1308	w/air brakes; Meritor Q	16.1/2 x 7
REAR					
Shoes	2005-2004	4707Q	4707	w/air brakes; Meritor Q Plus	16.1/2 x 7
Shoes	2005-2004	4515Q	4515E	w/air brakes; Meritor Q	16.1/2 x 7
MB50, MB60, MB70 BUSINESS CLASS					FREIGHTLINER
FRONT					
Pads	1996-1992	D184	7815	Bendix; with one or two piston caliper	
Pads	1996-1992	D225	7818	Bendix; w/2.88" 2-piston caliper	
REAR					
Pads	1996-1992	D184	7815	Bendix; with one or two piston caliper	
Pads	1996-1992	D225	7818	Bendix; w/2.88" 2-piston caliper	
MT45, MT55 STEP VAN					FREIGHTLINER
FRONT					
Pads	2008-2004	D786	7654	Bosch w/2.60" piston	cast # 4153269
Pads	2008-2004	D786A	7655	Bosch w/2.87" piston	cast # 4153222
REAR					
Pads	2008-2004	D786	7654	Bosch w/2.60" piston	cast # 4153269
Pads	2008-2004	D786A	7655	Bosch w/2.87" piston	cast # 4153222
W700 (Custom Chassis)					FREIGHTLINER
FRONT					

Pads/Shoes	Years	Part No.	Lining	Description	Technical
Pads	2001-1999	D786	7654	Bosch; w/2.6" piston	cast # 4153269
Pads	2001-1999	D786A	7655	Bosch; w/2.87" piston	cast # 4153222
Pads	1998-1996	D184	7806	Bendix w/2.6" or 3.38" piston	
REAR					
Pads	2001-1999	D786	7654	Bosch; w/2.6" piston	cast # 4153269
Pads	2001-1999	D786A	7655	Bosch; w/2.87" piston	cast # 4153222
Pads	1998-1996	D184	7806	Bendix w/2.6" or 3.38" piston	
w/Meritor Axles					FREIGHTLINER
FRONT					
Pads	non-dated	D1032	7636	w/axle: FC-941, 8k	
Pads	non-dated	D1032	7636	w/axle: FF-941, 10k / 12k	
REAR					
Pads	non-dated	D1032	7636	w/axle: RS-15 track, J1 flange, 13k / 15k	
Pads	non-dated	D1032	7636	w/axle: RS-17 / 19 L spindle, J1 flange	17k / 19k
Pads	non-dated	D1032	7636	w/axle: RS-21 / 23 R-spindle, J1 flange	21k / 23k
DC DIAMOND BUS					FREIGHTLINER
FRONT					
Pads	1997	D224	7807	Dayton w/2.5" piston	TDA-69240757
REAR					
Pads	1997	D224	7807	Dayton w/2.5" piston	TDA-69240757
FREIGHTLINER Model Axle Type					FREIGHTLINER
FRONT					
Pads	2002-2001	D1032	7636	FC-941, 8k (front)	
Pads	2002-2001	D1032	7636	FF-941, 10k / 12k (front)	
REAR					
Pads	2002-2001	D1032	7636	RS-15 Wide Trakc J1 Flange 13k / 15k	
Pads	2002-2001	D1032	7636	RS-17/29 L-Spindle J1 Flange 17k / 19k	
Pads	2002-2001	D1032	7636	RS-21/23 R-Spindle J1 Flange 21k / 23k	
GMC * LIGHT DUTY VEHICLES					
CANYON PICKUP					GMC
FRONT					
Pads	2008-2004	D1039	7943		N/A
REAR					
Shoes	2008-2004	S815	1548		
ENVOY					GMC
FRONT					
Pads	2007	D1169	8282	Envoy	auto trans * Sport
Pads	2006-2002	D882	7759	Envoy	
Pads	2004	D882	7759	Envoy XUV	
Pads	2001-1999	D726	7593	Envoy	N/A
REAR					
Pads	2007-2002	D883	7760	Envoy	auto trans * Sport
Pads	2004	D729	7596	Envoy XUV	
Pads	2001-1999	D729	7596	Envoy	
GMC * LIGHT DUTY TRUCKS * 1500, 1/2-Ton					
C10, C15 Pickup					GMC
FRONT					
Pads	2000-1992	D369	7259	All	
Pads	1991-1988	D369	7259	All, 2-dr cab, exc. Heavy Duty Chassis	D368 use D369
REAR					
Shoe	2000-1993	675	1404AD	All, w/Rear Drum Brakes	10 x 2.24"
Shoe	2000-1992	473	2073TD	All, w/Rear Drum Brakes	11.5/32 x 2.3/4"

Pads/Shoes	Years	Part No.	Lining	Description	Technical
Shoe	1992	593	1404D	All, w/Rear Drum Brakes	10 x 2.24"
Shoe	1991-1988	593	1404D	All, w/Heavy Duty Chassis	10 x 2.24"
K10, K15 Pickup					GMC
FRONT					
Pads	1999-1992	D369	7259	All	
Pads	1991-1988	D369	7259	All, with & w/o heavy duty chassis	D368 use D369
REAR					
Shoe	1999-1993	675	1404AD	All	10 x 2.24"
Shoe	1999-1992	473	4073T	All	11.5/32 x 2.3/4"
Shoe	1992	S593	1404D		10 x 2-1/4
Shoe	1991-1988	S593	1404D	2-dr with & w/o HD chassis	10 x 2-1/4
Shoe	1991-1988	S593	1404D	2-dr ext cab with HD chassis	10 x 2-1/4
Shoe	1991-1988	473	4073T	1-dr w/o HD Chassis	11.5/32 x 2.3/4"
SIERRA 1500					GMC
FRONT					
Pads	2007-2005	D1092	7997	All, Crew Cab, except Hybrid Gas/Electric	Ceramic Material
Pads	2007-2005	D785	7653	All, Crew Cab, except Hybrid Gas/Electric	
Pads	2007-2005	D785	7653	All, Ext Cab, Hybrid Gas/Electric	
Pads	2007-2005	D785	7653	All, w/Hydraulic Power Brakes	Except Crew Cab
Pads	2007-2005	D785	7653	All, w/Vacuum Power Brakes	Except Crew Cab
Pads	2005-2003	D785	7653	All, SS Package	
Pads	2005-2001	D784	7652	All, 1/2-Ton Heavy-Duty	
Pads	2004-2002	D785	7653	All, w/Four Wheel Steering	
Pads	2001-1999	D785	7653	All	
REAR					
Pads	2007	D792	7653	All, Crew Cab, except Hybrid Gas/Electric	Ceramic Material
Shoes	2007	S855	1583	All	
Pads	2006-2005	D785	7653	All, Crew Cab, except Hybrid Gas/Electric	
Pads	2006-2005	D834	7707	All, Ext Cab, Hybrid Gas/Electric	
Pads	2007-2005	D792	7662	All, w/Hydraulic Power Brakes	Except Crew Cab
Pads	2006-2005	D792	7662	All, w/Vacuum Power Brakes	Except Crew Cab
Pads	2005-2003	D834	7707	All, SS Package	
Pads	2005-2001	D785	7653	All, 1/2-Ton Heavy-Duty	
Pads	2004-2002	D834	7707	All, w/Four Wheel Steering	
Pads	2004-2002	D792	7662	All, w/Rack & Pinion Steering	
Pads	2001-1999	D785	7653	All	
SIERRA 1500 HD					GMC
FRONT					
Pads	2007-2001	D784	7652	All, 1/2-Ton Heavy-Duty	
REAR					
Pads	2007-2001	D785	7653	All, 1/2-Ton Heavy-Duty	Exc. 4WS
SIERRA, Denali					GMC
FRONT					
Pads	2007	D1092	7997		
Pads	2006	D785	7653		
Pads	2000	D785	7653		
REAR					
Pads	2007	D975	7707		
Pads	2006	D785	7653		
Pads	2000	D975	7707		
YUKON, Denali					GMC
FRONT					
Pads	2006	D785	7653		

Pads/Shoes	Years	Part No.	Lining	Description	Technical
Pads	2000	D785	7653		
REAR					
Pads	2006	D785	7653		
Pads	2000	D975	7707		
YUKON XL					GMC
FRONT					
Pads	2007	D1092	7997	Yukon	
Pads	2006-2003	D785	7653	All, 2WD & 4WD	
Pads	2002-2000	D785	7653	All, 2WD & 4WD	
Pads	1999-1995	D369	7259	Gasoline; 2WD / 4WD	
Pads	1999-1995	D370	7260	Diesel; 4WD 2WD	
Pads	1994-1992	D369	7259	All with	
Pads	1991-1978	D052	728A	All with	11.5/32 x 2.3/4 RR
REAR					
Pads	2007	D1194	8312	Yukon	
Pads	2006-2003	D974	7881	All, 2WD	
Pads	2006-2003	D834	7707	All, 4WD	
Pads	2002-2000	D834	7707	All, 2WD & 4WD	
Shoes	2000	S675	1404A	Yukon	
Shoes	2000	S653	2073AT	Yukon	
Pads	2001	D729	7596	Jimmy	N/A
Shoes	1999-1995	S675	1404A	Gasoline; 2WD / 4WD	w.10" rear drums
Shoes	1999-1995	S473	2073T	Gasoline; 4WD	11.5/32 x 2.3/4 RR
Shoes	1999-1997	S473	2073T	Diesel; 4WD;	11.5/32 x 2.3/4 RR
Shoes	1999-1995	S675	1404A	Diesel; 2WD	
Shoes	1994-1993	S675	1404A	All with	10 x 2.1/4
Shoes	1993-1978	S473	2073T	All with	11.5/32 x 2.3/4 RR
Shoes	1992	S593	1404	All with	10 x 2.1/4
PARKING BRAKE					
Shoes	2005-2000	PB781		Parking Brake Shoe	8.27 x 1.18
SAVANNA VAN 1500					GMC
FRONT					
Pads	2007-2003	D785	7653	7300 lb GVW	
Pads	2002-1996	D369	7259	6-lug, 7300 lb GVW	
REAR					
Pads	2007-2003	D974	7881	7300 lb GVW	
Shoes	2002-1999	S473	2073TD		11.5/32 x 2.3/4
Pads	1995-1990	D052			
G10, G15 VAN					GMC
FRONT					
Pads	1998-1996	D369	7259	All	
Pads	1995-1990	D052	728A	All	
REAR					
Shoes	1998-1990	S473	2073TD		11.5/32 x 2.3/4
GMC * LIGHT DUTY TRUCKS * 2500, 3/4-Ton					
GMC TRUCK - 3/4 TON PICKUP					GMC
C20, C25 Pickup					
FRONT					
Pads	2000-1988	D369	7259	All, 7200 lb GVW	
Pads	2000-1988	D370	7260	All, 8600 lb GVW	
Pads	1997-1992	D370	7260	All, 13 x 3.1/2" rear brakes	

Pads/Shoes	Years	Part No.	Lining	Description	Technical
REAR					
Shoes	2000-1988	473	2073T	All, 7200 lb GVW	11.5/32 x 2.3/4"
Shoes	2000-1988	451	2042AT	All, 8600 lb GVW	13 x 2.1/2"
Shoes	1997-1992	452	2157T	All, 13 x 3.1/2" rear brakes	13 x 3.1/2"
K20, K25 Pickup					GMC
FRONT					
Pads	2000-1988	D369	7259	All, 6 Lug Wheel * 7200 lb GVW	
Pads	2000-1988	D370	7260	All, 8 Lug Wheel * 8600 lb GVW	
REAR					
Shoes	2000-1988	473	2073T	All, 6 Lug Wheel * 7200 lb GVW	11.5/32 x 2.3/4"
Shoes	2000-1988	451	2042AT	All, 8 Lug Wheel * 8600 lb GVW	13 x 2.1/2"
Shoes	2000-1988	452	2157T	All, 8 Lug Wheel * 8600 lb GVW	13 x 3.1/2"
SIERRA 2500					GMC
FRONT					
Pads	2006-1999	D785	7653	All, JC5, JH5 brake systems	ID code in glove box
Pads	2006-1999	D784	7652	All, JH6 brake systems	ID code in glove box
REAR					
Pads	2006-1999	D785	7653		
PARKING BRAKE					
Shoes	2004-1999	PB771	2192 S/P	Parking Brake Shoe	
SIERRA 2500 HD					GMC
FRONT					
Pads	2006-1999	D785	7653	All, JC5, JH5 brake systems	ID code in glove box
Pads	2007-1999	D784	7652	All, JH6 brake systems	ID code in glove box
REAR					
Pads	2006-1999	D785	7653	All, JC5, JH5 brake systems	ID code in glove box
Pads	2007-1999	D785	7653	All, JH6 brake systems	ID code in glove box
PARKING BRAKE					
Shoes	2006-2001	PB771	2192 S/P	Parking Brake Shoe	
SAVANNA VAN 2500					GMC
FRONT					
Pads	2006-2003	D785	7653	All, 7300 lb GVW	
Pads	2007-2003	D784	7652	All, 8500 lb * 8600 lb GVW	
Pads	2002-1996	D370	7260	All	
Pads	2002-1996	D369	7259	All	
REAR					
Pads	2007-2003	D974	7875	All, 7300 lb GVW	
Pads	2006-2003	D974	7875	All, 8500 lb * 8600 lb GVW	
Shoes	2002-1996	452	2157T	All	13 x 3.1/2"
Shoes	2002-1996	D369	7259	All	
Shoes	2002-1999	S473	2073TD	w/8 stud wheel;	13 x 2.1/2
Shoes	2002-1999	S473	2073TD	w/6 stud wheel;	11.5/32 x 2.3/4
PARKING BRAKE					
Shoes	2006-2003	PB771		parking brake	8.07 x 1.65
G20, G25 VAN					GMC
FRONT					
Pads	1998-1996	D370	4260	7700-8600 GVW; w/8 stud wheel	
Pads	1998-1996	D369	7259	7300 GVW; w/6 stud wheel	
Pads	1995-1982	D052	728A	All	
REAR					
Shoes	1998-1996	452		7700-8600 GVW; w/8 stud wheel	13 x 3.1/2
Shoes	1998-1996	473		7300 GVW; w/6 stud wheel	11.5/32 x 2.3/4
Shoes	1998-1996	451		7300 GVW; w/6 stud wheel	13 x 2.1/2

Pads/Shoes	Years	Part No.	Lining	Description	Technical
Shoes	1995-1982	451			13 x 2.1/2
Shoes	1995-1978	S473	2073TD		11.5/32 x 2.3/4
P20 VAN GMC					
FRONT					
Pads	1989-1985	D153	7084	8000 GVW; H/D	
Pads	1984-1981	D153	7084	7500-8000 GVW; H/D	
REAR					
Shoes	1989-1981	S473	2073TD		11.5/32 x 2.3/4
Shoes	1989-1981	S451	2042ADT		13 x 2.1/2
Yukon XL 2500 GMC					
FRONT					
Pads	2007	D784	7652		
REAR					
Pads	2007	D785	7653		
GMC * LIGHT DUTY TRUCKS * 3500, 1-Ton					
GMC TRUCK - 1-TON PICKUP					
C30, C35 Pickup GMC					
FRONT					
Pads	2002-1995	D184	7815	All, Rear Disc Brakes * 15,000 lb. GVW	Bendix 1 & 2 pist cal
Pads	2000-1990	D459	7339	All, DRW or Ext Cab models	exc H/D chassis cab
Pads	2000-1990	D370	7260	All, SRW trucks	exc H/D chassis cab
Pads	1994	D184	7108	All, From VIN# RJ107933	Bendix 1 & 2 pist cal
Pads	1994	D149	7081	All, To VIN # RJ107933	
Pads	1993-1991	D149	7081	All, Rear Disc Brakes	D543 S/S D149
REAR					
Pads	2002-1995	D184	7815	All, Rear Disc Brakes * 15,000 lb. GVW	Bendix 1 & 2 pist cal
Shoes	2000-1990	452	2157TD	All, DRW or Ext Cab models	13 x 3.1/2"
Shoes	2000-1990	451	2042AT	All, SRW trucks	13 x 2.1/2"
Pads	1994	D184	7108	All, From VIN# RJ107933	Bendix 1 & 2 pist cal
Pads	1994	D149	7081	All, To VIN # RJ107933	
Pads	1993-1991	D149	7081	All, Rear Disc Brakes	D543 S/S D149
K30, K35 Pickup GMC					
FRONT					
Pads	2000-1990	D459	7339	All, DRW or Ext Cab models	
Pads	2000-1990	D370	7260	All, SRW trucks	
REAR					
Shoes	2000-1990	452	2157TD	All, DRW or Ext Cab models	13 x 3.1/2"
Shoes	2000-1990	451	2042AT	All, SRW trucks	13 x 2.1/2"
R30, R35 Pickup GMC					
FRONT					
Pads	1991-1987	D149	7081		
REAR					
Shoes	1991-1987	S452	2157TD		13 x 3.1/2"
SIERRA 3500. 1-Ton GMC					
FRONT					
Pads	2007-2001	D784	7652		
REAR					
Pads	2007-2001	D909	7788	GVW 12000	
Pads	2007	D785	7633	GVW 9900	
PARKING BRAKE					
Shoes	2006-2001	S771	2192 S/P	Parking Brake Shoes (2)	

Pads/Shoes	Years	Part No.	Lining	Description	Technical
V30, V35 Pickup					GMC
FRONT					
Pads	1991-1987	D149	7081		
REAR					
Shoes	1991-1987	S452	2157TD		13 x 3.1/2"
SAVANNA VAN 3500					GMC
FRONT					
Pads	2007-2003	D784	7652	All, 8600 lb and 9600 lb GVW * DRW	
Pads	2004-2003	D784	7652	All, Over 9600 lb	
Pads	2002-1996	D459	7339	All, DRW * stripped chassis	
Pads	2002-1996	D370	7260	All, except DRW and stripped chassis	
REAR					
Pads	2007-2003	D974	7875	All, 8600 lb and 9600 lb GVW * DRW	
Pads	2007-2003	D989	7891	All, 8600 lb and 9600 lb GVW * DRW	
Pads	2004-2003	D974	7875	All, Over 9600 lb	
Pads	2002-1996	452	2157T	All, DRW * stripped chassis	can use: S656
PARKING BRAKE					
Shoes	2006-2003	PB771	2192	Parking Brake / DRW	8.07 x 1.65
G30 G35					GMC
FRONT					
Pads	1998-1996	D459	7339	All, w/DRW * stripped chassis	
Pads	1998-1996	D370	7260	All, w/SRW	
Pads	1995-1985	D153	7084	All, except HD chassis	
Pads	1995-1985	D149	7081	All, w/ HD chassis	
REAR					
Shoes	1998-1996	452	2157T	All, w/DRW * stripped chassis	13 x 3.1/2"
Shoes	1998-1996	451	2042AT	All, w/SRW	13 x 2.1/2"
Shoes	1998-1996	452	2157T	All, w/SRW	13 x 3.1/2"
Shoes	1995-1985	451	2042AT	All, w/SRW	13 x 2.1/2"
Shoes	1995-1985	452	2157T	All, w/SRW	13 x 3.1/2"
P30 VAN					GMC
FRONT					
Pads	1999-1997	D149	7081	All	
Pads	1999-1997	D184	7815	All, 4-Wheel Disc Brake	
Pads	1996-1982	D149	7081	All	
Pads	1996-1979	D149	7081	All, 4-Wheel Disc Brake	
Pads	1995-1982	D153	7084	All	
REAR					
Shoes	1999-1997	451	2042AT	All	13 x 2.1/2"
Shoes	1999-1997	452	2157T	All	13 x 3.1/2"
Pads	1999-1997	D184	7815	All, 4-Wheel Disc Brake	
Shoes	1996-1982	452	2157T	All	13 x 3.1/2"
Pads	1996-1979	D149	7081	All, 4-Wheel Disc Brake	
Shoes	1995-1982	451	2042AT	All	13 x 2.1/2"
GMC * MEDIUM DUTY TRUCKS & BUSES					
B6P042 School Bus					GMC MEDIUM TRUCK
FRONT					
Pads	1991-1988	D225	7818	Bendix; w/2.88" 2-piston caliper	(T)
Pads	1991-1983	D224	7807	Dayton; w/2.5" 2-piston caliper	
Pads	1987-1983	D225	7818	Bendix; w/2.88" 2-piston caliper	(T)
REAR					
Pads	1991-1988	D225	7818	Bendix; w/2.88" 2-piston caliper	(T)
Pads	1991-1983	D224	7807	Dayton; w/2.5" 2-piston caliper	

Pads/Shoes	Years	Part No.	Lining	Description	Technical
Pads	1987-1983	D225	7818	Bendix; w/2.88" 2-piston caliper	(T)
PARKING BRAKE					
Shoes	1991-1988	PB692	2079	parking brake	12 x 3
Shoes	1991-1988	PB647	2086D	parking brake	9 x 3
B7T042 School Bus					GMC MEDIUM TRUCK
FRONT					
Pads	2002-1999	D225	7818	Bendix; w/2.88" 2-piston caliper	
Pads	2002-1993	D224	7807	Dayton; w/2.5" 2-piston caliper	
Pads	1999-1993	D225	7818	Bendix; w/2.88" 2-piston caliper	
Pads	1996-1993	D225	7818	Bendix; w/2.88" 2-piston caliper	
Shoes	2002-1997	4702Q	4702	w/air brake; meritor Q plus	15 x 4
REAR					
Pads	2002-1999	D225	7818	Bendix; w/2.88" 2-piston caliper	
Pads	2002-1993	D224	7807	Dayton; w/2.5" 2-piston caliper	
Pads	1999-1993	D225	7818		
Pads	1996-1993	D225	7818		
Shoes	2002-1997	4707Q	4707	w/air brake; meritor Q plus; extended life	16.1/2 x 7
PARKING BRAKE					
Shoes	2002-1993	PB647	2086D	Driveline config.	9 x 3
Shoes	2002-1993	PB824	1556D	Drum-in-hat config.	11.7/8 x 3
C4500 KODIAK / TOPKICK					GMC MEDIUM TRUCK
FRONT			40 Series		
Pads	2007-2003	D1010	7914	6.25M FA; 2-piston caliper	6000 lb axle
Pads	2007-2003	D1032	7636	7, 8M FA; w/4-piston caliper	7000 lb axle
REAR					
Pads	2007-2004	D1064	7969	w/10-hole rotor; w/DIH parking brake	7000 lb axle
Pads	2007-2003	D1010	7914	w/5-hole rotor; w/o parking brake	6000 lb axle
Pads	2007-2004	D1032	7636	7, 8M FA; w/4-piston caliper	w/DIH parking brake
PARKING BRAKE					
Shoes	2005-2004	PB847	1577	DIH	9.56 x 2.45
Shoes	2005-2003	PB647	2086D	Driveline config.	9 x 3
C5500 KODIAK / TOPKICK					GMC MEDIUM TRUCK
FRONT			50 Series		
Pads	2007-2003	D1010	7914	6.25M FA; 2-piston caliper	6000 lb axle
Pads	2007-2003	D1032	7636	7, 8M FA; w/4-piston caliper	7000 lb axle
REAR					
Pads	2007-2004	D1064	7969	w/10-hole rotor; w/DIH parking brake	7000 lb axle
Pads	2007-2003	D1010	7914	w/5-hole rotor; w/o parking brake	6000 lb axle
Pads	2007-2004	D1032	7636	7, 8M FA; w/4-piston caliper	w/DIH parking brake
PARKING BRAKE					
Shoes	2005-2003	PB647	2086	Driveline config.	9 x 3
Shoes	2005-2004	PB847	1577	DIH	9.56 x 2.45
C5D042 TRUCK					GMC MEDIUM TRUCK
FRONT					
Pads	1990-1988	D184	7815	Bendix; with one or two piston caliper	No. 415325
Pads	1990-1983	D225	7818	Dayton; w/2.88" 2-piston caliper L/D	4151244; 3368188
Pads	1990-1983	D224	7807	Dayton; w/2.88" 2-piston caliper	No. 60480388
Pads	1987-1983	D225	7818	Bendix; w/1-piston No. 4150868	
REAR					
Pads	1990-1983	D225	7818	Bendix; w/2.88" 2-piston caliper L/D	4151244; 3368188
Pads	1990-1983	D224	7807	Dayton; w/2.5" 2-piston caliper; 60450394	60050185; 60450410
Pads	1987-1983	D225	7818	Bendix; w/2.88" 2-piston caliper H/D	3366615; 4150868
PARKING BRAKE					

Pads/Shoes	Years	Part No.	Lining	Description	Technical
Shoes	1990-1988	PB647	2086D	Driveline config.	9 x 3
C5H042 KODIAK / TOPKICK					GMC MEDIUM TRUCK
FRONT					
Pads	2002-1991	D224	7807	Dayton; w/2.5" 2-piston caliper	
Pads	2002	D1032	7636	w/4-piston caliper; w/wear sensor	
Pads	2000-1995	D1032	7636	w/4-piston caliper; w/o wear sensor	D769 Use D1032
Pads	1996-1990	D225	7818	Bendix; w/2.88" 2-piston caliper	No. 4152546
REAR					
Pads	2002-1990	D224	7807	Dayton; w/2.5" 2-piston caliper	
Pads	2002-1995	D1032	7636	w/4-piston caliper; w/o wear sensor	D769 Use D1032
Pads	1996-1990	D225	7818	Bendix; w/2.88" 2-piston caliper	No. 4152546
PARKING BRAKE					
Shoes	1990	PB692	2079D	Driveline Config.	12 x 3
Shoes	1990	PB647	2086D	Driveline config.	9 x 3
Shoes	1990	PB824	1556D	Drum-in-hat config.	11.7/8 x 3
C6 KODIAK / TOPKICK					GMC MEDIUM TRUCK
FRONT					
Pads	2005-2003	D1010	7914	6.25M FA	
PARKING BRAKE					
Shoes	2005-2003	PB824	1556	parking brake	11.82 x 2.98
Shoes	2005-2003	PB647	2086D	parking brake	9 x 3
Shoes	2002-1990	PB824	1556	parking brake	11.82 x 2.98
Shoes	2002-1990	PB647	2086D	parking brake	9 x 3
Shoes	2002-1990	PB692	2079	parking brake	12 x 3
C6500 KODIAK / TOPKICK					GMC MEDIUM TRUCK
FRONT					
			<i>60 Series</i>		
Pads	2007-2003	D1032	7636	w/4-piston caliper; w/wear sensor	
Pads	2002-1990	D225	7142	w/Bendix calipers	
Pads	2002-1990	D224	7141	w/Dayton calipers	
REAR					
Pads	2007-2003	D1032	7636	w/4-piston caliper; w/wear sensor	
Pads	2002-1995	D1032	7636	w/Dayton calipers	4-piston rear
Pads	2002-1995	D225	7142	w/Bendix calipers	
Pads	2002-1995	D224	7141	w/Dayton calipers	
PARKING BRAKE					
Shoes	2005-1990	PB647	2086D	Driveline config.	9 x 3
Shoes	2005-1990	PB824	1556D	DIH,; w/manual transmission	11.7/8 x 3
Shoes	2005-1990	PB692		DIH, w/auto transmission	11.7/8 x 3
C6D042 TRUCK					GMC MEDIUM TRUCK
FRONT					
Pads	1999-1988	D184	7815	Bendix; with one or two piston caliper	No. 4151325
Pads	1990-1983	D225	7818	Bendix; w/2.88" 2-piston caliper L/D	4151244; 3368188
Pads	1990-1983	D224	7807	Dayton; w/2.5" 2-piston caliper	No. 60450388
Pads	1987-1983	D225	7818	Bendix; w/2.88" 2-piston caliper H/D	No. 4150868
REAR					
Pads	1999-1988	D224	7807	All	
Pads	1990-1983	D225	7818	Bendix; w/2.88" 2-piston caliper L/D	4151244; 3368188
Pads	1990-1983	D224	7807	Dayton; w/2.5" 2-piston caliper, 60450394	60050185; 60450410
Pads	1987-1983	D225	7817	Bendix; w/2.88" 2-piston caliper H/D	3366615; 4150868
PARKING BRAKE					
Shoes	1990-1988	PB692	2079D	driveline config	12 x 3
Shoes	1990-1988	PB647	2086D	driveline config	9 x 3
C6D064					GMC MEDIUM TRUCK

Pads/Shoes	Years	Part No.	Lining	Description	Technical
FRONT					
Pads	1990-1988	D184	7815	Bendix; with one or two piston caliper	No. 4151325
Pads	1990-1983	D225	7818	Bendix; w/2.88" piston caliper L/D	4151244; 3368188
Pads	1990-1983	D224	7807	Dayton; w/2.5" 2-piston caliper	No. 60450388
Pads	1987-1983	D225	7818	Bendix; w/2.88" piston caliper H/D	No. 4150868
REAR					
Pads	1990-1983	D225	7818	Bendix; w/2.88" piston caliper L/D	4151244; 3368188
Pads	1990-1983	D224	7807	Dayton; w/2.5" 2-piston caliper; 60450394	60050185; 60450410
Pads	1987-1983	D225	7818	Bendix; w/2.88" piston caliper H/D	3366615; 4150868
PARKING BRAKE					
Shoes	1990-1988	PB692	2079D	driveline config.	12 x 3
Shoes	1990-1988	PB647	2086D	driveline config.	9 x 3
C6H042 KODIAK / TOPKICK GMC MEDIUM TRUCK					
FRONT					
Pads	2007-2003	D1032	7636	w/4-piston caliper; w/wear sensor	
Pads	2002-1990	D225	7142	w/Bendix calipers	
Pads	2002-1990	D224	7141	w/Dayton calipers	
REAR					
Pads	2007-2003	D1032	7636	w/4-piston caliper; w/wear sensor	
Pads	2002-1995	D1032	7636	w/Dayton calipers	4-piston rear
Pads	2002-1995	D225	7142	w/Bendix calipers	
Pads	2002-1995	D224	7141	w/Dayton calipers	
PARKING BRAKE					
Shoes	2005-1990	PB647	2086D	Driveline config.	9 x 3
Shoes	2005-1990	PB824	1556D	DIH,; w/manual transmission	11.7/8 x 3
Shoes	2005-1990	PB692	2079	DIH, w/auto transmission	11.7/8 x 3
C7500 KODIAK / TOPKICK GMC MEDIUM TRUCK					
FRONT 70 Series					
Pads	2007-2003	D1032	7636	w/4-piston caliper; w/wear sensor	
Pads	2002-1990	D225	7142	w/Bendix calipers	
Pads	2002-1990	D224	7141	w/Dayton calipers	
REAR					
Pads	2007-2003	D1032	7636	w/4-piston caliper; w/wear sensor	
Pads	2002-1995	D1032	7636	w/Dayton calipers	4-piston rear
Pads	2002-1995	D225	7142	w/Bendix calipers	
Pads	2002-1995	D224	7141	w/Dayton calipers	
PARKING BRAKE					
Shoes	2005-1990	PB647	2086D	Driveline config.	9 x 3
Shoes	2005-1990	PB824	1556D	DIH,; w/manual transmission	11.7/8 x 3
Shoes	2005-1990	PB692	2079	DIH, w/auto transmission	11.7/8 x 3
C7H042 KODIAK / TOPKICK GMC MEDIUM TRUCK					
FRONT					
Pads	2007-2003	D1032	7636	w/4-piston caliper; w/wear sensor	
Pads	2002-1990	D225	7142	w/Bendix calipers	
Pads	2002-1990	D224	7141	w/Dayton calipers	
REAR					
Pads	2007-2003	D1032	7636	w/4-piston caliper; w/wear sensor	
Pads	2002-1995	D1032	7636	w/Dayton calipers	4-piston rear
Pads	2002-1995	D225	7142	w/Bendix calipers	
Pads	2002-1995	D224	7141	w/Dayton calipers	
PARKING BRAKE					
Shoes	2005-1990	PB647	2086D	Driveline config.	9 x 3
Shoes	2005-1990	PB824	1556D	DIH,; w/manual transmission	11.7/8 x 3

Pads/Shoes	Years	Part No.	Lining	Description	Technical
Shoes	2005-1990	PB692	2079	DIH, w/auto transmission	11.7/8 x 3
C7H064 KODIAK / TOPKICK					GMC MEDIUM TRUCK
FRONT					
Pads	2007-2003	D1032	7636	w/4-piston caliper; w/wear sensor	
Pads	2002-1990	D225	7142	w/Bendix calipers	
Pads	2002-1990	D224	7141	w/Dayton calipers	
REAR					
Pads	2007-2003	D1032	7636	w/4-piston caliper; w/wear sensor	
Pads	2002-1995	D1032	7636	w/Dayton calipers	4-piston rear
Pads	2002-1995	D225	7142	w/Bendix calipers	
Pads	2002-1995	D224	7141	w/Dayton calipers	
PARKING BRAKE					
Shoes	2005-1990	PB647	2086D	Driveline config.	9 x 3
Shoes	2005-1990	PB824	1556D	DIH,; w/manual transmission	11.7/8 x 3
Shoes	2005-1990	PB692	2079	DIH, w/auto transmission	11.7/8 x 3
P4T042 FORWARD CONTROL					GMC MEDIUM TRUCK
FRONT					
Pads	1996-1988	D184	7815	Bendix; with one or two piston caliper	
Pads	1996-1988	D224	7807	Dayton; w/2.5" 2-piston caliper	
REAR					
Pads	1996-1988	D184	7815	Bendix; with one or two piston caliper	
Pads	1996-1988	D224	7807	Dayton; w/2.5" 2-piston caliper	
PARKING BRAKE					
Shoes	1990-1984	PB647	2086D	Driveline config.	9 x 3
Shoes	1996-1991	PB823			
P6S FORWARD CONTROL					GMC MEDIUM TRUCK
FRONT					
Pads	1996-1992	D225	7142	w/Bendix calipers	
Pads	1996-1992	D224	7141	w/Dayton calipers	
REAR					
Pads	1996-1992	D225	7142	w/Bendix calipers	
Pads	1996-1992	D224	7141	w/Dayton calipers	
P6T042 FORWARD CONTROL					GMC MEDIUM TRUCK
FRONT					
Pads	1990-1983	D225	7142	w/Bendix calipers	
Pads	1990-1983	D224	7141	w/Dayton calipers	
Pads	1990-1988	D184	7815	Bendix; with one or two piston caliper	No. 4151324
REAR					
Pads	1990-1984	D225	7142	w/Bendix calipers	
Pads	1990-1984	D224	7141	w/Dayton calipers	
Pads	1990-1984	D184	7815	Bendix; with one or two piston caliper	4150868; 3366615
S7T042 SCHOOL BUS					GMC MEDIUM TRUCK
FRONT					
Pads	1990-1983	D225	7818	Bendix; w/2.88" 2-piston caliper	
REAR					
Pads	1990-1983	D225	7818	Bendix; w/2.88" 2-piston caliper	
PARKING BRAKE					
Shoes	1990-1988	PB692	2079D	Driveline config.	12 x 3
Shoes	1990-1988	PB823			11 x 2
Shoes	1990-1988	PB647	2086D	Driveline config.	9 x 3
T6500 TILTMASER CAB					GMC MEDIUM TRUCK
FRONT					
Pads	2007-2004	D1032	7636	w/4-piston caliper;	w/wear sensor

Pads/Shoes	Years	Part No.	Lining	Description	Technical
Pads	2007-2004	D225	7142	w/Bendix calipers	11000, 12000 lb. FA
Pads	2007-2004	D224	7141	w/Dayton calipers	8100 lb. FA
REAR					
Pads	2007-2004	D1032	7636	w/4-piston caliper;	w/wear sensor
Pads	2002-3/98	D1032	7636	w/4-piston caliper;	w/wear sensor
Pads	2002-3/98	D225	7142	w/Bendix calipers	
Pads	2002-3/98	D224	7141	w/Dayton calipers	
Pads	2/98-3/96	D225	7142	w/Bendix calipers	
Pads	2/98-3/96	D224	7141	w/Dayton calipers	
PARKING BRAKE					
Shoes	2005-2003	PB647	2086D	Driveline config.	9 x 3
Shoes	2005-2003	PB824	1556D	Drum-in-hat config.	11.7/8 x 3
T7500 TILTMASER CAB			GMC MEDIUM TRUCK		
FRONT					
Pads	2007-2004	D1032	7636	w/4-piston caliper;	w/wear sensor
Pads	2007-2004	D225	7142	w/Bendix calipers	11000, 12000 lb. FA
Pads	2007-2004	D224	7141	w/Dayton calipers	8100 lb. FA
REAR					
Pads	2007-2004	D1032	7636	w/4-piston caliper;	w/wear sensor
Pads	2002-3/98	D1032	7636	w/4-piston caliper;	w/wear sensor
Pads	2002-3/98	D225	7142	w/Bendix calipers	
Pads	2002-3/98	D224	7141	w/Dayton calipers	
Pads	2/98-3/96	D225	7142	w/Bendix calipers	
Pads	2/98-3/96	D224	7141	w/Dayton calipers	
PARKING BRAKE					
Shoes	2005-2003	PB647	2086D	Driveline config.	9 x 3
Shoes	2005-2003	PB824	1556D	Drum-in-hat config.	11.7/8 x 3
T8500 TILTMASER CAB			GMC MEDIUM TRUCK		
FRONT					
Pads	2007-2004	D1032	7636	w/4-piston caliper;	w/wear sensor
Pads	2007-2004	D225	7142	w/Bendix calipers	11000, 12000 lb. FA
Pads	2007-2004	D224	7141	w/Dayton calipers	8100 lb. FA
REAR					
Pads	2007-2004	D1032	7636	w/4-piston caliper;	w/wear sensor
Pads	2002-3/98	D1032	7636	w/4-piston caliper;	w/wear sensor
Pads	2002-3/98	D225	7142	w/Bendix calipers	
Pads	2002-3/98	D224	7141	w/Dayton calipers	
Pads	2/98-3/96	D225	7142	w/Bendix calipers	
Pads	2/98-3/96	D224	7141	w/Dayton calipers	
PARKING BRAKE					
Shoes	2005-2003	PB647	2086D	Driveline config.	9 x 3
Shoes	2005-2003	PB824	1556D	Drum-in-hat config.	11.7/8 x 3
GMC: W4 / W5 / W6 / W7 (ISUZU)					
W3500 NPR, GAS POWERED			GMC W-SERIES		
FRONT					
Pads	2007-10/97	D827	7399	14,001 to 16,000 GVW	Gasoline
Pads	2007-10/97	D825	7697	10,000 to 14,000 GVW	Gasoline
Pads	9/97-1995	D675	7425		Gasoline
REAR					
Shoes	2007-10/97	S792	1534	311.2mm x 121.9mm	Gasoline
Shoes	2007-10/97	S699	1482	320mm x 100mm	Gasoline
Shoes	9/97-1995	S612	1416	320mm x 75mm	Gasoline
W3500 NPR, DIESEL POWERED			GMC W-SERIES		

Pads/Shoes	Years	Part No.	Lining	Description	Technical
FRONT					
Pads	2007-1/98	D827	7399	14,001 to 16,000 GVW	Diesel
Pads	2007-1/98	D825	7697	10,000 to 14,000 GVW	Diesel
Pads	12/97-1995	D675	7425		Diesel
REAR					
Shoes	2007-3/01	S699	1482	Diesel	320mm x 100mm
Shoes	2/01-1995	S612	1416	Diesel	320mm x 75mm
W4 NPR, DIESEL Front Drums					GMC W-SERIES
FRONT					
Shoes	11/93-1/91	S699	1482	14,250 lb axle	320mm x 100mm
Shoes	11/93-1/91	S612	1416	11,000 to 13,000 lb axle	320mm x 75mm
Shoes	12/90-1986	S612	1416	Diesel	320mm x 75mm
REAR					
Shoes	11/93-9/88	S668	1454	Flat Low	300mm x 75mm
Shoes	11/93-9/88	S699	1482	13k, 14.25k lb axles	320mm x 100mm
Shoes	11/93-9/88	S612	1416	11k lb axle, except Flat Low	320mm x 75mm
Shoes	8/88-1986	S612	1416	Diesel	320mm x 75mm
W4 NPR, GAS Front Disc					GMC W-SERIES
FRONT					
Pads	2005-7/99	D827	7399		Gasoline
Pads	6/99-10/97	D826	7698		Gasoline
Pads	9/97-8/87	D675	7425		Gasoline
REAR					
Shoes	9/97-9/94	S699	1482	13.250 lb axle	320mm x 100mm
Shoes	9/97-9/94	S612	1416	except 13,250 lb axle	320mm x 75mm
Shoes	8/94-12/93	S699	1482	13k, 14.25k lb axles	320mm x 100mm
Shoes	8/94-12/93	S612	1416	11k lb axle	320mm x 75mm
Shoes	11/93-9/88	S699	1482	13k, 14.25k lb axles	320mm x 100mm
Shoes	11/93-9/88	S612	1416	11k lb axle, except Flat Low	320mm x 75mm
Shoes	11/93-9/88	S668	1454	Flat Low	300mm x 75mm
W4 NPR, DIESEL Front Disc					GMC W-SERIES
FRONT					
Pads	2005-1/98	D825	7697		
Pads	12/97-8/87	D675	7425		
REAR					
Shoes	12/97-9/94	S612	1416	except 14,250 lb axle	320mm x 75mm
Shoes	12/97-9/94	S699	1482	14,250 lb axle	320mm x 100mm
Shoes	8/94-12/93	S612	1416	11k lb axle	320mm x 75mm
Shoes	8/94-12/93	S699	1482	13k, 14.25k lb axles	320mm x 100mm
Shoes	11/93-9/88	S688	1454	Flat Low	300mm x 75mm
Shoes	11/93-9/88	S699	1482	13k, 14.25k lb axles	320mm x 100mm
Shoes	11/93-9/88	S612	1416	11k lb axle, except Flat Low	320mm x 75mm
W4500 w/GAS Engine					GMC W-SERIES
FRONT					
Pads	2007-7/99	D825	7697	10,001 to 14,000 GVW	
Pads	2007-7/99	D827	7399	14,001 to 16,000 GVW	
Pads	6/99-2/99	D826	7398	w/o ABS	
Pads	6/99-2/99	D827	7399	with ABS	
Pads	1/99-10/97	D826	7398		
Pads	9/97-1995	D675	7425		
REAR					
Shoes	2007-10/97	S792	1534	311.2mm x 121.9mm	
Shoes	9/97-1995	S699	1482	320mm x 100mm	

Pads/Shoes	Years	Part No.	Lining	Description	Technical
W4500 w/DIESEL Engine				GMC W-SERIES	
FRONT					
Pads	2007-1/98	D827	7399	16,001 to 19,500 GVW	
Pads	2007-1/98	D825	7697	14,001 to 16,000 GVW	
Pads	12/97-1995	D675	7425		
REAR					
Shoes	2007-1995	S792	1534	16,001 to 19,500 GVW	
Shoes	2007-1995	S699	1482	14,001 to 16,000 GVW	
W5 Series w/Front Drums				GMC W-SERIES	
FRONT					
Shoes	1999-7/97	S669	1455		
Shoes	6/97-11/87	S672	1458	320mm x 110mm	
REAR					
Shoes	1999-2/94	S727	1498	320mm x 145mm	
W5500				GMC W-SERIES	
FRONT					
Pads	2007-1/99	D827	7399		
Pads	12/98-1/98	D826	7398		
REAR					
Shoes	2005-1/98	S792	1534	311.2mm x 121.9mm	
W6; W6500, T60, T6000 (FSR), Front Drums				GMC W-SERIES	
FRONT					
Shoes	1996-1/94	S616	1421D	400mm x 115mm	W6R042
Shoes	12/93-12/89	S616	1421D	except Low Deck	400mm x 115mm
Shoes	12/93-12/89	S603	1411D	Low Deck	400mm x 110mm
REAR					
Shoes	1996-1/94	S615	1420D	410mm x 115mm	W6R042
Shoes	12/93-6/90	S615	1420D	410mm x 115mm	
Shoes	12/93-6/90	S604	1412D	370mm x 135mm	
Shoes	5/90-9/86	S615	1420D	410mm x 115mm	
W6; W6500, T60, T6000 (FSR), Front Discs				GMC W-SERIES	
FRONT					
Pads	2002-3/96	D224	7807	8100 lb FA - Dayton Caliper	2.5" 2-piston caliper
Pads	2002-3/96	D225	7818	11000, 1200 lb FA - Bendix Caliper	2.88 2-piston caliper
Pads	2002-3/98	D1032	7636	4-piston caliper - Dayton Caliper	
REAR					
Pads	2002-3/98	D224	7807	8100 lb FA - Dayton Caliper	2.5" 2-piston caliper
Pads	2002-3/98	D225	7818	11000, 1200 lb FA - Bendix Caliper	2.88 2-piston caliper
Pads	2002-3/98	D1032	7636	4-piston caliper - Dayton Caliper	
Pads	2/98-3/96	D224	7807	8100 lb FA - Dayton Caliper	2.5" 2-piston caliper
Pads	2/98-3/96	D225	7818	11000, 1200 lb FA - Bendix Caliper	2.88 2-piston caliper
PARKING BRAKE					
Shoes	2002-1996	S647	2086D	Driveline config.	9 x 3
Shoes	2002-1997	S824	1556D	Drum-in-hat config.	11.7/8 x 3
W7M; T70, T7000 (FTR) w/Front Drums				GMC W-SERIES	
FRONT					
Shoes	1996-10/94	S718	1418	410mm x 140mm	AOH
Shoes	9/94-1/94	S613	1418	410mm x 140mm	AOH Manual
Shoes	9/94-1/94	S718	1418	410mm x 140mm	AOH Automatic
Shoes	12/93-9/86	S613	1418	410mm x 140mm	AOH
REAR					
Shoes	1996-10/94	S718	1418	410mm x 140mm	AOH
Shoes	9/94-1/94	S613	1418	410mm x 140mm	AOH Manual

Pads/Shoes	Years	Part No.	Lining	Description	Technical
Shoes	9/94-1/94	S718	1418	410mm x 140mm	AOH Automatic
Shoes	12/93-9/86	S613	1418	410mm x 140mm	AOH
W7M; T70, T7000 (FTR) w/Front Discs					GMC W-SERIES
FRONT					
Pads	2007-4/03	D1032	7636	4-piston caliper, w/o wear sensors	11000, 12000 lb FA
Pads	2002-3/96	D225	7818	Bendix; w/2.88" 2-piston caliper	11000, 12000 lb FA
Pads	2002-3/96	D224	7807	Dayton; w/2.5" 2-piston caliper	8100 lb FA
REAR					
Pads	2007-3/98	D1032	7636	4-piston caliper, w/o wear sensors	
Pads	2002-3/98	D225	7818	Bendix; w/2.88" 2-piston caliper	
Pads	2002-3/98	D224	7807	Dayton; w/2.5" 2-piston caliper	
Pads	2/98-3/96	D225	7818	Bendix; w/2.88" 2-piston caliper	
Pads	2/98-3/96	D224	7807	Dayton; w/2.5" 2-piston caliper	
PARKING BRAKE					
Shoes	2007-3/96	PB647	2086D	Driveline config.	9 x 3
Shoes	2007-3/96	PB824	1556D	Drum-in-hat config.	11.7/8 x 3
W7H (FVR) w/Front Drums					GMC W-SERIES
FRONT					
Shoes	1996-1995		4734D		4X06 s/s 4734D
Shoes	1995-Up		1418	Air Brake	
Shoes	1994-1986		1418	Air Brake	
REAR					
Shoes	1995-Up		1418	Air Brake	
Shoes	1994-1986		1418	Air Brake	
W7H (FVR) w/Front Discs					GMC W-SERIES
FRONT					
Pads	2007-4/03	D1032	7636	4-piston caliper, w/o wear sensors	11000, 12000 lb FA
Pads	2002-3/96	D225	7818	Bendix; w/2.88" 2-piston caliper	11000, 12000 lb FA
Pads	2002-3/96	D224	7807	Dayton; w/2.5" 2-piston caliper	8100 lb FA
REAR					
Pads	2007-3/98	D1032	7636	4-piston caliper, w/o wear sensors	
Pads	2002-3/98	D225	7818	Bendix; w/2.88" 2-piston caliper	
Pads	2002-3/98	D224	7807	Dayton; w/2.5" 2-piston caliper	
PARKING BRAKE					
Shoes	2007-3/96	PB647	2086D	Driveline config.	9 x 3
Shoes	2007-3/96	PB824	1556D	Drum-in-hat config.	11.7/8 x 3
W7T (EVR) w/Front Drums					GMC W-SERIES
FRONT					
Shoes	1992-1987		1418		
REAR					
Shoes	1992-1987		1418		
GRUMMAN - OLSEN					
L10					GRUMMAN - OLSEN
FRONT					
Pads	1997-1990	D202	7480A	Mail Delivery Truck S10 Chassis	replaces D154
ROUTE STAR					GRUMMAN - OLSEN
FRONT					
Pads	2001-2000	D777	7644	Delivery Truck F450 chassis	
Pads	2001-2000	D786	7654	Freightliner chassis w/Bosch Pinslider	(.10=66mm)
Pads	2001-2000	D786	7654	Freightliner chassis w/Bosch Pinslider	(.11=77mm)
Pads	2001-2000	D786A	7655	Freightliner chassis w/Bosch Pinslider	(1.055 thick)
REAR					
Pads	2001-2000	D777	7644	Delivery Truck F450 chassis	

Pads/Shoes	Years	Part No.	Lining	Description	Technical
HEULIEZ					
GX 217					HEULIEZ
FRONT					
Pads	non-dated	F120	78W6C	OE caliper Lucas w/Volvo chassis	front axle, w/o lead
GX 317					HEULIEZ
FRONT					
Pads	non-dated	F072	78X8S	OE caliper Lucas w/Renault chassis	front axle, w/o lead
GX 417					HEULIEZ
FRONT					
Pads	non-dated	F120	78W6C	OE caliper Lucas w/Volvo chassis	front axle, w/o lead
HINO					
HINO 145, 165 TRUCK					HINO
FRONT					
Pads	2008-2005	D1062	7968	w/ 60mm dual piston caliper	2-piston caliper
REAR					
Pads	2008-2005	D1062	7968	w/ 60mm dual piston caliper	2-piston caliper
HINO 185 TRUCK					HINO
FRONT					
Pads	2008-2005	D1062	7968	w/ 60mm dual piston caliper	2-piston caliper
REAR					
Pads	2008-2005	D1032	7636		4-piston caliper
HINO 238, 268 TRUCK					HINO
FRONT					
Pads	2008-2005	D1032	7636	4-piston caliper	
REAR					
Pads	2008-2005	D1032	7636	4-piston caliper	
HINO 308 TRUCK					HINO
FRONT					
Pads	2008-2006	D1032	7636	4-piston caliper	
HINO FA SERIES TRUCK					HINO
FRONT					
Shoes	2003-1998	S684	1469D	OEM # 474415580 * 320mm x 110mm	12.5/8 x 4.3/8
Shoes	1997-1989	S683	1468D	320mm x 75mm	12.5/8 x 3
Shoes	1997-1995	S839	1568D	OEM # 47410-3820R * FA1415	12.3/4 x 3
REAR					
Shoes	2003-1998	S685	1470D	OEM # 474432050 * 320mm x 125mm	12.5/8 x 4.7/8
Shoes	1997-1989	S683	1468D	320mm x 75mm	12.5/8 x 3
Shoes	1997-1995	S839	1568D	OEM # 47410-3820R * FA1415	12.3/4 x 3
HINO FB SERIES, FB14					HINO
FRONT					
Shoes	2003-2000	S617	1422D	OEM # 474417970	15.3/4 x 4.3/4
Shoes	1999-1989	S684	1469D	OEM # 474415580 * 320mm x 110mm	12.5/8 x 4.3/8
Shoes	1990-1987	S863	1468D	320mm x 75mm	12.5/8 x 3
Shoes	non-dated		1459D	FB14; w/OEM shoe # 47410-2910R	12.6 x 2.95
Shoes	non-dated		1459D	FB14; w/OEM shoe # 47410-3180R	12.6 x 4.33
REAR					
Shoes	2003-2000			OEM # 474433240	
Shoes	1999-1989	S685	1470D	OEM # 474432050 * 320mm x 125mm	12.5/8 x 4.7/8
Shoes	1990-1987	S683	1468D	320mm x 75mm	12.5/8 x 3
Shoes	non-dated		1459D	FB14; w/OEM shoe # 47410-2910R	12.6 x 2.95
Shoes	non-dated		1470D	FB14; w/OEM shoe # 47410-2570R	12.6 x 4.92
HINO FD16 SERIES					HINO

Pads/Shoes	Years	Part No.	Lining	Description	Technical
FRONT					
Shoes	2003-1998	S684	1469D	OEM # 474415580	12.5/8 x 4.3/8
Shoes	1989-1986	S684	1469D		12.5/8 x 4.3/8
REAR					
Shoes	2003-1998	S685	1470D	OEM # 474432050	12.5/8 x 4.7/8
Shoes	1989-1986	S685	1470D		12.5/8 x 4.7/8
HINO FD17 SERIES AOH (Air Over Hydraulics) HINO					
FRONT					
Shoes	2003-1998	S684	1469D	OEM # 474415580	12.5/8 x 4.3/8
Shoes	1992-1988	S684	1469D		12.5/8 x 4.3/8
REAR					
Shoes	2003-1998	S685	1470D	OEM # 474432050	12.5/8 x 4.7/8
Shoes	1992-1988	S685	1470D		12.5/8 x 4.7/8
HINO FD20 SERIES AOH (Air Over Hydraulics) HINO					
FRONT					
Shoes	2003-1998	S684	1469D	OEM # 474415580	12.5/8 x 4.3/8
Shoes	1992-1/91	S684	1469D		12.5/8 x 4.3/8
REAR					
Shoes	2003-1998	S685	1470D	OEM # 474432050	12.5/8 x 4.7/8
Shoes	1992-1/91	S685	1470D		12.5/8 x 4.7/8
HINO FD2J SERIES TRUCK HINO					
FRONT					
Shoes	2003-1998	S684	1469D	OEM # 474415580	12.5/8 x 4.3/8
REAR					
Shoes	2003-1998	S685	1470D	OEM # 474432050	12.5/8 x 4.7/8
HINO FD5H SERIES AOH (Air Over Hydraulics) HINO					
FRONT					
Shoes	2003-1993	S684	1469D	OEM # 474415580	12.5/8 x 4.3/8
REAR					
Shoes	2003-1993	S685	1470D	OEM # 474432050	12.5/8 x 4.7/8
HINO FE/FF SERIES, FE16, FE17, FE19, FF17, FF19 (AOH) HINO					
FRONT					
Shoes	2003-1990	S617	1422D	OEM # 474416140 * 400mm x 120mm	15.3/4 x 4.3/4
Shoes	1989	S684	1469D	320mm x 110mm	
Shoes	1988-1986	S687	1471D		
HINO FE / FF20 SERIES (AOH) HINO					
FRONT					
Shoes	2003-1998	S617	1422D	OEM # 474416140	15.3/4 x 4.3/4
Shoes	1992-1991	S684	1469D		12.5/8 x 4.3/8
Shoes	1992-1992	S617	1422D		15.3/4 x 4.3/4
REAR					
Shoes	2001-1998	S614	1419D	OEM # 474432350	15.3/4 x 6"
Shoes	1992-1991	S614	1419D		15.3/4 x 6
HINO FE / FF 2J SERIES HINO					
FRONT					
Shoes	2003-1998	S617	1422D	OEM # 474416140	15.3/4 x 4.3/4
REAR					
Shoes	2003-1998	S614	1419D	OEM # 474432350	15.3/4 x 6"
HINO FE5H, FF4H, FF5H SERIES HINO					
FRONT					
Shoes	2003-1998	S617	1422D	OEM # 474416140	15.3/4 x 4.3/4
Shoes	1997-1993	S617	1422D	with and w/o D42-522 auto adjuster	15.3/4 x 4.3/4
REAR					

Pads/Shoes	Years	Part No.	Lining	Description	Technical
Shoes	2001-1993	S614	1419D		15.3/4 x 6
HINO FF23 SERIES TRUCK					HINO
FRONT					
Shoes	2003-1998	S617	1422D	OEM # 474416140	15.3/4 x 4.3/4
Shoes	1992	S617	1422D		15.3/4 x 4.3/4
REAR					
Shoes	2001-1998	S614	1419D	OEM # 474432350	15.3/4 x 6"
Shoes	1992	S614	1419D		15.3/4 x 6
HINO GC17 SERIES (AOH)					HINO
FRONT					
Shoes	1992-1988	S684	1469D		12.5/8 x 4.3/8
REAR					
Shoes	1992-1988	S685	1470D		12.5/8 x 4.7/8
HINO GC20 SERIES TRUCK					HINO
FRONT					
Shoes	1992-1/91	S684	1469D		12.5/8 x 4.3/8
REAR					
Shoes	1992-1/91	S685	1470D		12.5/8 x 4.7/8
HINO SF17 SERIES					HINO
FRONT					
Shoes	1997-1986		4737D	w/air brakes; Fritec # 4X04; cast shoe	15.7/8 x 5
REAR					
Shoes	1992-1991		1460D	w/air brakes; cast shoe	16 x 7
HINO SG19 SERIES					HINO
FRONT					
Shoes	2003-1998			OEM # 474416590	
Shoes	1997-1986		4737D	w/air brakes; Fritec # 4X04; cast shoe	15.7/8 x 5
REAR					
Shoes	2001-1998			OEM # 474416630	
Shoes	1991-1988		1460D	with air brakes	16 x 7
Shoes	1996-1986		4736D	with air brakes; Fritec # 4X02; cast shoe	15.7/8 x 8
HINO SG1H SERIES, SG3323					HINO
FRONT					
Shoes	1997-1993		4737D	w/air brakes; Fritec # 4X04; cast shoe	15.7/8 x 5
REAR					
Shoes	1997-1993		1460D	(SG 3323); cast shoe; with air brakes	16 x 7
HINO SG1HD SERIES					HINO
FRONT					
Shoes	1992-1987		4737D	w/air brakes; Fritec # 4X04; cast shoe	15.7/8 x 5
REAR					
Shoes	1992-1987		4736D	with air brakes; Fritec # 4X02; cast shoe	15.7/8 x 8
HINO SG20 SERIES TRUCK					HINO
FRONT					
Shoes	1997-1986		4737D	w/air brakes; Fritec # 4X04; cast shoe	15.7/8 x 5
REAR					
Shoes	1992		1460D	cast shoe; with air brakes	16 x 7
HINO SG22 SERIES TRUCK					HINO
FRONT					
Shoes	1992-1987		4737D	w/air brakes; Fritec # 4X04; cast shoe	15.7/8 x 5
REAR					
Shoes	1992-1987		4736D	with air brakes; Fritec # 4X02; cast shoe	15.7/8 x 8
HINO SG221 TRACTOR					HINO
FRONT					

Pads/Shoes	Years	Part No.	Lining	Description	Technical
Shoes	1992-1987		4737D	w/air brakes; Fritec # 4X04; cast shoe	15.7/8 x 5
REAR					
Shoes	1992-1987		4736D	with air brakes; Fritec # 4X02; cast shoe	15.7/8 x 8
HINO SG23 SERIES TRUCK					
FRONT					
Shoes	1997-1986		4737D	w/air brakes; Fritec # 4X04; cast shoe	15.7/8 x 5
REAR					
Shoes	1992-1988		1460D	cast shoe; with air brakes	16 x 7
Shoes	1996-1986		4736D	with air brakes; Fritec # 4X02; cast shoe	15.7/8 x 8
HINO SG231 TRACTOR					
FRONT					
Shoes	1997-1986		4737D	w/air brakes; Fritec # 4X04; cast shoe	15.7/8 x 5
REAR					
Shoes	1996-1986		4736D	with air brakes; Fritec # 4X02; cast shoe	15.7/8 x 8
HINO SG2J SERIES TRUCK					
FRONT					
Shoes	2003-1998		4737D	w/air brakes; Fritec # 4X04; cast shoe	15.7/8 x 5
REAR					
Shoes	2003-1998		1460D	cast shoe; with air brakes	16 x 7
HINO SG4H SERIES TRUCK					
FRONT					
Shoes	1997-1993		4737D	w/air brakes; Fritec # 4X04; cast shoe	15.7/8 x 5
REAR					
Shoes	2001-1993		1460D	(SG 3320); cast shoe; with air brakes	16 x 7
HINO SG3320 SERIES TRUCK					
FRONT					
Shoes	1997-1986				
REAR					
Shoes	2001-1997		1460	H4701R	
HINO SG3323 TRUCK					
FRONT					
Shoes	1997-1986		4737		
REAR					
Shoes	1997-1993		1460		
HINO SG5523 TRUCK					
FRONT					
Shoes	1997-1986		4737		
REAR					
Shoes	1996-1986		4736		
HUMMER (AM GENERAL)					
HUMMER H2					
FRONT					
Pads	2007-2003	D784	7652		
REAR					
Pads	2007-2003	D785	7653		
PARKING BRAKE					
Shoe	2007-2003	PB771	2192SP	fits: H2 Hummer	
INTERNATIONAL IHC (NAVISTAR)					
CF500, CF600					
FRONT					
Pads	2007-2006	D1066	7972		
REAR					

Pads/Shoes	Years	Part No.	Lining	Description	Technical
Pads	2007-2006	D1066	7972		
1400 METRO (M1400, 140)					NAVISTAR
FRONT					
Pads	1998-1988	D184	7815	Bendix; with one or two piston caliper	
Pads	1998-1988	D225	7818	Bendix; w/2.88" 2-piston caliper	
REAR					
Pads	1998-1988	D184	7815	Bendix; with one or two piston caliper	
Pads	1998-1988	D225	7818	Bendix; w/2.88" 2-piston caliper	
PARKING BRAKE					
Shoes	1998-1987	PB842	1303D	Driveline config.;	10 x 3
Shoes	1998-1987	PB647	2086D	Driveline config.;	9 x 3
1452 STRIPPED CHASSIS (S1452, 1452FC)					NAVISTAR
FRONT					
Pads	1998-1984	D184	7815	Bendix; with one or two piston caliper	
Pads	1998-1984	D225	7818	Bendix; w/2.88" 2-piston caliper	
REAR					
Pads	1998-1984	D184	7815	Bendix; with one or two piston caliper	
Pads	1998-1984	D225	7818	Bendix; w/2.88" 2-piston caliper	
PARKING BRAKE					
Shoes	1998-1982	PB842	1303AD	Driveline config.;	10 x 3
Shoes	1998-1982	PB647	2086D	Driveline config.;	9 x 3
1600 METRO (M1600, 1652)					NAVISTAR
FRONT					
Pads	1998-1987	D184	7815	Bendix; with one or two piston caliper	
Pads	1998-1987	D225	7818	Bendix; w/2.88" 2-piston caliper	
REAR					
Pads	1998-1987	D184	7815	Bendix; with one or two piston caliper	
Pads	1998-1987	D225	7818	Bendix; w/2.88" 2-piston caliper	
PARKING BRAKE					
Shoes	1998-1987	PB842	1303AD	Driveline config.;	10 x 3
Shoes	1998-1987	PB647	2086D	Driveline config.;	9 x 3
1652 STRIPPED CHASSIS					NAVISTAR
FRONT			16S1624; S1652FC/SC; UPS		
Pads	2004-1998	D786	7654	Bosch w/2.6" piston	International
Pads	2004-1998	D786A	7655	Bosch w/2.87" piston	International
Pads	1998-1987	D184	7815	Bendix; with one or two piston caliper	
Pads	1998-1987	D225	7818	Bendix; w/2.88" 2-piston caliper	
REAR					
Pads	2004-1998	D786	7654	Bosch w/2.6" piston	International
Pads	2004-1998	D786A	7655	Bosch w/2.87" piston	International
Pads	1998-1987	D184	7815	Bendix; with one or two piston caliper	
Pads	1998-1987	D225	7818	Bendix; w/2.88" 2-piston caliper	
PARKING BRAKE					
Shoes	2004-1976	PB842	1303D	Driveline config.;	10 x 3
Shoes	2004-1976	PB647	2086D	Driveline config.;	9 x 3
3000 BUS (STRIPPED CHASSIS / FORWARD CONTROL)					NAVISTAR
FRONT			3200, 3600, 3700, 3800, 3900FC		
Pads	2007-1998	D786	7654	66mm pin slide caliper	
Pads	2007-1998	D786A	7655	73mm pin slide caliper	
Pads	1997-1990	D184	7815	2.60mm rail slide caliper	3.38mm rail slide caliper
Pads	1997-1990	D225	7818	2.88mm rail slide caliper	
Shoes	1998-1991	S321	1245AD	w/Auto-Adj.	15 x 3
Shoes	1998-1991	S322	1280BD	w/Auto-Adj.	15 x 3.1/2

Pads/Shoes	Years	Part No.	Lining	Description	Technical
Shoes	1998-1991	S235	1245AD	w/Man.-Adj.	15 x 3
Shoes	1998-1991	S840	1280D	w/Man.-Adj.; w/re-enforced anchor plate	15 x 3.1/2
REAR					
Pads	2007-1998	D786	7654	66mm pin slide caloper	
Pads	2007-1998	D786A	7655	73mm pin slide caliper	
Pads	1997-1990	D184	7815	2.60mm rail slide caliper	3.38mm rail slide caliper
Pads	1997-1990	D225	7818	2.88mm rail slide caliper	
Shoes	1998-1991	S346	1252D		15 x 5
Shoes	1998-1991	S381	4596D		15 x 6
Shoes	1998-1991	S383	4597D		15 x 7
Shoes	1998-1991	S386	1255D		16 x 6
PARKING BRAKE					
Shoes	1999-1991	PB842	1303D	Driveline config.;	10 x 3
Shoes	1999-1991	PB647	2086D	Driveline config.;	9 x 3
4000, 7000 Series TRUCK (Conventional Cab)					NAVISTAR
FRONT			4100, 4200, 4300, 4400, 4600, 4700, 4800, 4900, 7100		
Pads	2007-1998	D786	7654	66mm pin slide caloper	
Pads	2007-1998	D786A	7655	73mm pin slide caliper	
Shoes	1997-1990	D184	7815	2.60mm rail slide caliper	3.38mm rail slide caliper
Shoes	1997-1990	D225	7818	2.88mm rail slide caliper	
REAR					
Pads	2007-1998	D786	7654	66mm pin slide caloper	
Pads	2007-1998	D786A	7655	73mm pin slide caliper	
Shoes	1997-1990	D184	7815	2.60mm rail slide caliper	3.38mm rail slide caliper
Shoes	1997-1990	D225	7818	2.88mm rail slide caliper	
PARKING BRAKE					
Shoes	2004-2002	PB842	1303D	Driveline config.;	10 x 3
Shoes	2004-2002	PB647	2086D	Driveline config.;	9 x 3
7100 SEVERE SERVICE					NAVISTAR
FRONT					
Pads	1996-1990	D184	7815	2.60mm rail slide caliper	dual piston
Pads	1996-1990	D225	7818	2.88mm rail slide caliper	dual piston
Pads	1996-1990	D184	7815	3.38mm rail slide Bendix caliper	single piston
REAR					
Pads	1996-1990	D184	7815	2.60mm rail slide caliper	dual piston
Pads	1996-1990	D225	7818	2.88mm rail slide caliper	dual piston
PARKING BRAKE					
Shoes	1995-1990	PB842	1303D	Driveline config.;	10 x 3
Shoes	1995-1990	PB647	2086D	Driveline config.;	9 x 3
ISUZU					
ISUZU EVR TILTMASER TRACTOR					ISUZU
FRONT					
Shoes	1996-1988	S718	1418D	AOH; w/Auto-Adj.	16.1/8 x 5.1/2
Shoes	1992-1987		1418D		
REAR					
Shoes	1996-1988	S473	4734D	AOH; w/Auto-Adj.; Fritec # 4X06	16.1/8 x 7
Shoes	1992-1987		1418D		
ISUZU FRR TILTMASER CAB					ISUZU
FRONT					
Shoes	2004-2/99	S834	4735D	AOH; w/Auto-Adj.; Fritec # 141X	14.1/2 x 4.3/4
Shoes	1/99-2/94	S672	1458D		
REAR					
Shoes	2004-2/99	S833	4733D	AOH; w/Auto-Adj.; Fritec # 142X	14.1/4 x 5.7/8

Pads/Shoes	Years	Part No.	Lining	Description	Technical
Shoes	1/99-2/94	S727	1498D	320mm x 110mm	
ISUZU FSR with Front Drums					ISUZU
FRONT					
Shoes	1996-1/94	S616	1421D	400mm x 115mm	
Shoes	12/93-12/89	S616	1421D	except Low Deck	400mm x 115mm
Shoes	12/93-12/89	S603	1411D	Low Deck	400mm x 110mm
REAR					
Shoes	1996-1/94	S615	1420D	410mm x 115mm	
Shoes	12/93-6/90	S615	1420D	410mm x 115mm	
Shoes	12/93-6/90	S604	1412D	370mm x 135mm	
Shoes	5/90-9/86	S615	1420D	410mm x 115mm	
ISUZU FSR with Front Discs					ISUZU
FRONT					
Pads	2002-3/96	D224	7807	8100 lb FA - Dayton Caliper	2.5" 2-piston caliper
Pads	2002-3/96	D225	7818	11000, 1200 lb FA - Bendix Caliper	2.88 2-piston caliper
Pads	2002-3/98	D1032	7636	4-piston caliper - Dayton Caliper	
REAR					
Pads	2002-3/98	D224	7807	8100 lb FA - Dayton Caliper	2.5" 2-piston caliper
Pads	2002-3/98	D225	7818	11000, 1200 lb FA - Bendix Caliper	2.88 2-piston caliper
Pads	2002-3/98	D1032	7636	4-piston caliper - Dayton Caliper	
Pads	2/98-3/96	D224	7807	8100 lb FA - Dayton Caliper	2.5" 2-piston caliper
Pads	2/98-3/96	D225	7818	11000, 1200 lb FA - Bendix Caliper	2.88 2-piston caliper
PARKING BRAKE					
Shoes	2002-1996	S647	2086D	Driveline config.	9 x 3
Shoes	2002-1997	S824	1556D	Drum-in-hat config.	11.7/8 x 3
ISUZU FTR with Front Drums					ISUZU
FRONT					
Shoes	1996-10/94	S718	1418	410mm x 140mm	AOH
Shoes	9/94-1/94	S613	1418	410mm x 140mm	AOH Manual
Shoes	9/94-1/94	S718	1418	410mm x 140mm	AOH Automatic
Shoes	12/93-9/86	S613	1418	410mm x 140mm	AOH
REAR					
Shoes	1996-10/94	S718	1418	410mm x 140mm	AOH
Shoes	9/94-1/94	S613	1418	410mm x 140mm	AOH Manual
Shoes	9/94-1/94	S718	1418	410mm x 140mm	AOH Automatic
Shoes	12/93-9/86	S613	1418	410mm x 140mm	AOH
ISUZU FTR with Front Discs					ISUZU
FRONT					
Pads	2007-4/03	D1032	7636	4-piston caliper, w/o wear sensors	11000, 12000 lb FA
Pads	2002-3/96	D225	7818	Bendix; w/2.88" 2-piston caliper	11000, 12000 lb FA
Pads	2002-3/96	D224	7807	Dayton; w/2.5" 2-piston caliper	8100 lb FA
REAR					
Pads	2007-3/98	D1032	7636	4-piston caliper, w/o wear sensors	
Pads	2002-3/98	D225	7818	Bendix; w/2.88" 2-piston caliper	
Pads	2002-3/98	D224	7807	Dayton; w/2.5" 2-piston caliper	
Pads	2/98-3/96	D225	7818	Bendix; w/2.88" 2-piston caliper	
Pads	2/98-3/96	D224	7807	Dayton; w/2.5" 2-piston caliper	
PARKING BRAKE					
Shoes	2007-3/96	PB647	2086D	Driveline config.	9 x 3
Shoes	2007-3/96	PB824	1556D	Drum-in-hat config.	11.7/8 x 3
ISUZU FVR, FXR w/Front Discs					ISUZU
FRONT					
Pads	2007-4/03	D1032	7636	4-piston caliper, w/o wear sensors	11000, 12000 lb FA

Pads/Shoes	Years	Part No.	Lining	Description	Technical
Pads	2002-3/96	D225	7818	Bendix; w/2.88" 2-piston caliper	11000, 12000 lb FA
Pads	2002-3/96	D224	7807	Dayton; w/2.5" 2-piston caliper	8100 lb FA
REAR					
Pads	2007-3/98	D1032	7636	4-piston caliper, w/o wear sensors	
Pads	2002-3/98	D225	7818	Bendix; w/2.88" 2-piston caliper	
Pads	2002-3/98	D224	7807	Dayton; w/2.5" 2-piston caliper	
PARKING BRAKE					
Shoes	2007-3/96	S647	2086D	Driveline config.	9 x 3
Shoes	2007-3/96	S824	1556D	Drum-in-hat config.	11.7/8 x 3
ISUZU NPR with Front Drums					ISUZU
FRONT					
Shoes	11/93-1/91	S699	1482D	320mm x 100mm	14,250 lb axle
Shoes	11/93-1/91	S612	1416D	320mm x 75mm	11000, 13000 lb axles
Shoes	12/90-1987	S612	1416D		
REAR					
Shoes	11/93-9/88	S699	1482D	320mm x 100mm	14,250 lb axle
Shoes	11/93-9/88	S612	1416D	11,000 lb axle, except Flat Low	320mm x 75mm
Shoes	11/93-9/88	S668	1454D	Flat Low	300mm x 75mm
ISUZU NPR w/Front Discs w/Gasoline Engine					ISUZU
FRONT					
Pads	2007-7/99	D827	7699	14,000 to 16,000 lb axle	Class 4
Pads	2007-7/99	D825	7697	10,000 to 14,000 lb axle	Class 3
Pads	6/99-2/99	D827	7699	with ABS	Class 4
Pads	6/99-2/99	D826	7698	without ABS	Class 4
Pads	6/99-2/99	D825	7697		Class 3
REAR					
Shoes	2007-10/97	S792	1534D		311.2mm x 121.9mm
Shoes	2007-10/97	S699	1482D		320mm x 100mm
Shoes	2007-10/97	S612	1416D		320mm x 75mm
Shoes	9/97-9/94	S699	1482D	except 13,250 lb axle	320mm x 100mm
Shoes	9/97-9/94	S612	1416D	13,250 lb axle	320mm x 75mm
Shoes	8/94-12/93	S699	1482D	13k, 14.25k lb axles	320mm x 100mm
Shoes	8/94-12/93	S612	1416D	11k lb axle	320mm x 75mm
Shoes	11/93-9/88	S612	1416D	11k lb axle	except Flat Low
Shoes	11/93-9/88	S699	1482D	13k, 14.25k lb axles	
Shoes	11/93-9/88	S668	1454D	Flat Low	300mm x 75mm
PARKING BRAKE					
Shoes	2007-7/03	PB-823	1555T		10.86 x 1.97
ISUZU NPR w/Front Discs w/Diesel Engine					ISUZU
FRONT					
Pads	2007-1/98	D827	7699		Class 5
Pads	2007-1/98	D825	7697		Class 4
Pads	12/97-8/87	D675	7425		
REAR					
Shoes	2007-1/98	S792	1534D	Class 5	311.2mm x 121.9mm
Shoes	2007-1/98	S699	1482D	Class 4	320mm x 100mm
Shoes	2007-1/98	S612	1416D	Class 3	320mm x 75mm
Shoes	12/97-9/94	S699	1482D	14,250 lb axle	320mm x 100mm
Shoes	12/97-9/94	S612	1416D	except 14,250 lb axle	320mm x 75mm
Shoes	8/94-12/93	S699	1482D	13k, 14.25k lb axles	320mm x 100mm
Shoes	8/94-12/93	S612	1416D	11k lb axle	320mm x 75mm
Shoes	11/93-9/88	S612	1416D	11k lb axle	except Flat Low
Shoes	11/93-9/88	S699	1482D	13k, 14.25k lb axles	

Pads/Shoes	Years	Part No.	Lining	Description	Technical
Shoes	11/93-9/88	S668	1454D	Flat Low	300mm x 75mm
ISUZU NQR					ISUZU
FRONT					
Pads	2005-1/99	D827	7699		
Pads	12/98-1/98	D826	7698		
REAR					
Shoes	2005-1/98	S792	1534D		
ISUZU NRR					ISUZU
FRONT					
Pads	2007-1/04	D827	7697		
Shoes	7/93-11/87	S672	1458D		12.5/8 x 4.3/8
REAR					
Shoes	1999-1987	S669	1455D	w/ 320mm x 120mm	
IVECO					
10-14 FORWARD CONTROL					IVECO
FRONT					
Pads	1991-1989	D494		w/o wear sensor	
Pads	1991-1989	D494		w/wear sensor; w/closed circuit	
Pads	1991-1989	D494		w/wear sensor; w/open circuit	
12-14 FORWARD CONTROL					IVECO
FRONT					
Pads	1989	D494		w/o wear sensor	
Pads	1989	D494		w/wear sensor; w/closed circuit	
Pads	1989	D494		w/wear sensor; w/open circuit	
13-14 FORWARD CONTROL					IVECO
FRONT					
Pads	1991-1989	D494		w/o wear sensor	
Pads	1991-1989	D494		w/wear sensor; w/closed circuit	
Pads	1991-1989	D494		w/wear sensor; w/open circuit	
15-14 FORWARD CONTROL					IVECO
FRONT					
Pads	1991-1989	D494		w/o wear sensor	
Pads	1991-1989	D494		w/wear sensor; w/closed circuit	
Pads	1991-1989	D494		w/wear sensor; w/open circuit	
18-14 FORWARD CONTROL					IVECO
FRONT					
Pads	1990-1989	D494		w/o wear sensor	
Pads	1990-1989	D494		w/wear sensor; w/closed circuit	
Pads	1990-1989	D494		w/wear sensor; w/open circuit	
18-16 FORWARD CONTROL					IVECO
FRONT					
Pads	1991-1989	D494		w/o wear sensor	
Pads	1991-1989	D494		w/wear sensor; w/closed circuit	
Pads	1991-1989	D494		w/wear sensor; w/open circuit	
MODEL 19-14					IVECO
FRONT					
Pads	1989	D1027	7931		
23-16 FORWARD CONTROL					IVECO
FRONT					
Pads	1991-1989	D442			
Pads	1991-1989	D1027	7931	Turbo	
Z100 FORWARD CONTROL					IVECO
FRONT					

Pads/Shoes	Years	Part No.	Lining	Description	Technical
Shoes	1986-1980	S835	1565D		12.7/8 x 5.1/2
REAR					
Shoes	1986-1980	S835	1565D		12.7/8 x 5.1/2
Z110 FORWARD CONTROL					
IVECO					
FRONT					
Shoes	1986-1980	S835	1565D		12.7/8 x 5.1/2
REAR					
Shoes	1986-1980	S835	1565D		12.7/8 x 5.1/2
Z 200					
IVECO					
FRONT					
Shoes	non-dated		1393	Auto Adj.	12.80 x 3.94 x .500
REAR					
Shoes	non-dated		1393	Auto Adj.	12.80 x 3.94 x .500
Z 220					
IVECO					
FRONT					
Shoes	non-dated	S835	1380	Manual Adj.	12.80 x 3.94 x .315
REAR					
Shoes	non-dated	S835	1380	Manual Adj.	12.80 x 3.94 x .315
Z220T FORWARD CONTROL					
IVECO					
REAR					
Shoes	1986-1980	S837	1567D		12.7/8 x 5.1/2
Shoes	1986-1980	S836	1566D		12.7/8 x 6.3/8
Z330T FORWARD CONTROL					
IVECO					
FRONT					
Pads	1988-1987	D494		w/o wear sensor	
Pads	1988-1987	D494		w/wear sensor	w/closed circuit
Pads	1988-1987	D494		w/wear sensor	w/open circuit
Z335T FORWARD CONTROL					
IVECO					
FRONT					
Pads	1990-1987	D1027	7931		
REAR					
Shoes	1990-1987	S837	1567D		12.7/8 x 5.1/2
Shoes	1990-1987	S836	1566D		12.7/8 x 6.3/8
Z340T FORWARD CONTROL					
IVECO					
FRONT					
Pads	1990-1987	D1027	7931		
REAR					
Shoes	1990-1987	S837	1567D		12.7/8 x 5.1/2
Shoes	1990-1987	S836	1566D		12.7/8 x 6.3/8
Z435T FORWARD CONTROL					
IVECO					
FRONT					
Pads	1990-1987	D1027	7931		
REAR					
Shoes	1990-1987	S836	1566D		12.7/8 x 6.3/8
Z450T FORWARD CONTROL					
IVECO					
FRONT					
Pads	1990-1987	D1027	7931		
REAR					
Shoes	1990-1987	S836	1566D		12.7/8 x 6.3/8
IVECO Coach					
IVECO					
FRONT					
Pads	non-dated	F072	78X8	late model coach	
DIESEL DELIVERY					
IVECO					

Pads/Shoes	Years	Part No.	Lining	Description	Technical
FRONT					
Shoes	non-dated		1361		12.80 x 3.15 x .275
REAR					
Shoes	non-dated		1361		12.80 x 3.15 x .275
SERIES 160					
IVECO					
FRONT					
Shoes	non-dated		1356		15.50 X 5.00 X .500
REAR					
Shoes	non-dated		1356		15.50 X 5.00 X .500
ZETA 65.12 to 79.14					
IVECO					
FRONT					
Pads	1/92-1/87	D494	7817A	OE caliper Lucas vented 315mm	Mintex CVP005
Pads	1/92-1/87	D442	7816	OE caliper Lucas vented disc	Mintex CVP007
KASSBOHRER (SETRA COACHES)					
SETRA 100; S130ES					
KASSBOHRER					
FRONT					
Pads	1988-1982	F080	78W24		
SETRA 100; S140					
KASSBOHRER					
FRONT					
Pads	1988	F080	78W24		
Pads	1/83-1989	F069A	78X4A	OE caliper Knorr vented 406mm	
SETRA 200; S210-S216					
KASSBOHRER					
FRONT					
Pads	1983	F080	78W24		
Pads	1/83-1989	F069A	78X4A	OE caliper Knorr vented 406mm	S210
SETRA 200; S210, HE; S212-S215					
KASSBOHRER					
FRONT					
Pads	1/83-1989	F069A	78X4A	OE caliper Knorr vented 406mm	
SETRA 200; S211-S215					
KASSBOHRER					
FRONT					
Pads	1/83-1989	F069A	78X4A	OE caliper Knorr vented 406mm	
SETRA 200; S228					
KASSBOHRER					
FRONT					
Pads	1988-1984	F080	78W24		
SETRA S300; S309; S312; S315					
KASSBOHRER					
FRONT					
Pads	1/91-up	F072	78X8S	OE caliper Lucas vented	
SETRA S328					
KASSBOHRER					
FRONT					
Pads	1/95-up	F067	78W23A	OE caliper Knorr vented disc	w/o wear lead
SETRA S417					
KASSBOHRER					
FRONT					
Pads	2004-2002	F067B	78W19	can use F067A if rotors are resurfaced	all three axles
REAR					
Pads	2004-2002	F067B	78W19	can use F067A if rotors are resurfaced	all three axles
SETRA BUS 538					
KASSBOHRER					
REAR					
Shoes	2000-1999		468X	Cetra Bus 538, Jurid 09 399 00	
KNORR - BREMSE					
SB7000					
KNORR					
FRONT					
Pads	non-dated	F067B	78W19	can use F067A, when rotor is resurfaced	w/o wear lead

Pads/Shoes	Years	Part No.	Lining	Description	Technical
SB8000					KNORR
FRONT					
Pads	non-dated	F162	78W13S		
HD Brake Disc					KNORR
FRONT					
Pads	non-dated	D1203	8323	OE # 1138162F	F136 ??
K 85					KNORR
REAR					
Pads	non-dated	F069	78X4	OE caliper Knorr	two rear axle sets
LUCAS					
LUCAS (BRAKE SYSTEM)					LUCAS
FRONT					
Pads	non-dated	D1310	8425	Lucas Elsa 2 Caliper	N508206052
Pads	non-dated	F072	78X8S	Various Brand Models	
Pads	non-dated	F120	78W6	Various Brand Models	
LUXOR MOTOR HOME					
FREIGHTLINER CHASSIS					LUXOR MOTORHOME
FRONT					
Pads	1998-1992	D184	7815	Bendix; with one or two piston caliper	
REAR					
Pads	1998-1992	D184	7815	Bendix; with one or two piston caliper	
MACK TRUCK					
CS200 TRUCK					MACK TRUCK
FRONT					
Pads	2001-1986	D225	7818		
Shoes	2001-1988	1308Q	1308	w/air brakes; Meritor Q	15 x 4
Shoes	2001-1988	4524Q	4524B	w/air brakes; Meritor Q	16.1/2 x 5
Shoes	1988-1986	S690	1474		15.1/2 x 5
REAR					
Shoes	2001-1988	4515Q	4515E	w/air brakes; Meritor Q	16.1/2 x 7
Shoes	1988-1986	S691	1476D		15.1/2 x 6
CS250 TRUCK					MACK TRUCK
FRONT					
Pads	2001-1986	D225	7818		
Shoes	2001-1988	1308Q	1308	w/air brakes; Meritor Q	15 x 4
Shoes	2001-1988	4524Q	4524B	w/air brakes; Meritor Q	16.1/2 x 5
Shoes	1988-1986	S690	1474		15.1/2 x 5
REAR					
Shoes	2001-1988	4515Q	4515E	w/air brakes; Meritor Q	16.1/2 x 7
Shoes	1988-1986	S691	1476D		15.1/2 x 6
CS300 TRUCK					MACK TRUCK
FRONT					
Pads	2001-1986	D225	7818		
Shoes	2001-1988	1308Q	1308	w/air brakes; Meritor Q	15 x 4
Shoes	2001-1988	4524Q	4524B	w/air brakes; Meritor Q	16.1/2 x 5
Shoes	1988-1986	S690	1474		15.1/2 x 5
REAR					
Shoes	2001-1988	4515Q	4515E	w/air brakes; Meritor Q	16.1/2 x 7
Shoes	1988-1986	S691	1476D		15.1/2 x 6
MS200 TILT CAB					MACK TRUCK
FRONT					

Pads/Shoes	Years	Part No.	Lining	Description	Technical
<i>Pads</i>	2001-1986	D225	7818		
<i>Shoes</i>	2001-1988	1308Q	1308	w/air brakes; Meritor Q	15 x 4
<i>Shoes</i>	2001-1988	4524Q	4524B	w/air brakes; Meritor Q	16.1/2 x 5
<i>Shoes</i>	1988-1986	S690	1474		15.1/2 x 5
REAR					
<i>Shoes</i>	2001-1988	4515Q	4515E	w/air brakes; Meritor Q	16.1/2 x 7
<i>Shoes</i>	1988-1986	S691	1476D		15.1/2 x 6
MS250 TILT CAB					MACK TRUCK
FRONT					
<i>Pads</i>	2001-1986	D225	7818		
<i>Shoes</i>	2001-1988	1308Q	1308	w/air brakes; Meritor Q	15 x 4
<i>Shoes</i>	2001-1988	4524Q	4524B	w/air brakes; Meritor Q	16.1/2 x 5
<i>Shoes</i>	1988-1986	S690	1474		15.1/2 x 5
REAR					
<i>Shoes</i>	2001-1988	4515Q	4515E	w/air brakes; Meritor Q	16.1/2 x 7
<i>Shoes</i>	1988-1986	S691	1476D		15.1/2 x 6
MS300 TILT CAB					MACK TRUCK
FRONT					
<i>Pads</i>	2001-1986	D225	7818		
<i>Shoes</i>	2001-1988	1308Q	1308	w/air brakes; Meritor Q	15 x 4
<i>Shoes</i>	2001-1988	4524Q	4524B	w/air brakes; Meritor Q	16.1/2 x 5
<i>Shoes</i>	1988-1986	S690	1474		15.1/2 x 5
REAR					
<i>Shoes</i>	2001-1988	4515Q	4515E	w/air brakes; Meritor Q	16.1/2 x 7
<i>Shoes</i>	1988-1986	S691	1476D		15.1/2 x 6
MS2009; 300P; CS200P					MACK TRUCK
FRONT					
<i>Shoes</i>	non-dated		1356		15.50 x 5.00 x .500
REAR					
<i>Shoes</i>	non-dated		1357		15.50 x 6.00 x .500
M.A.N.					
F90					M.A.N.
FRONT					
<i>Pads</i>	1989-Up	F072	78X8S		
F2000; M2000					M.A.N.
FRONT					
<i>Pads</i>	1996-Up	F072	78X8S		
F20; 19; 23-26; 33; 40; 48					M.A.N.
FRONT					
<i>Pads</i>	Up to 1989	F072	78X8S		
L2000					M.A.N.
FRONT					
<i>Pads</i>	All	D442	7816		
PSV					M.A.N.
FRONT					
<i>Pads</i>	Up to 1998	F072	78X8S		
PSV 150 - 190					M.A.N.
FRONT					
<i>Pads</i>	1/96-up	F174	78W18A	OE caliper Perrot vented 330mm	w/o wear lead
PSV 230 - 750					M.A.N.
FRONT					
<i>Pads</i>	1/96-up	F174	78W18A	OE caliper Perrot vented 330mm	w/o wear lead
PSV 422 FRH Lions Star					M.A.N.

Pads/Shoes	Years	Part No.	Lining	Description	Technical
FRONT					
Pads	1/93-up	F069A	78X4A	OE caliper Knorr vented 438mm disc	w/o wear lead
Pads	1/93-up	F072	78X8S	OE caliper Lucas vented 438 vented	w/o wear lead
M2000, Series 25.264					M.A.N.
FRONT					
Pads	11/93-up	F072	78X8S	OE caliper Lucas vented 377mm disc	w/o wear lead
M2000, Series 25.224					M.A.N.
FRONT					
Pads	11/93-up	F072	78X8S	OE caliper Lucas vented 377mm disc	w/o wear lead
19.502F; FL; FS					M.A.N.
FRONT					
Pads	Up to 1989	F072	78X8S		
25.502DF; DFS					M.A.N.
FRONT					
Pads	Up to 1989	F072	78X8S		
27.502DF; DFS					M.A.N.
FRONT					
Pads	Up to 1989	F072	78X8S		
VARIUS					M.A.N.
FRONT					
Pads	non-dated	F098	78W1		
M.A.N. BUS (A.M. GENERAL)					M.A.N.
FRONT					
Shoes	non-dated		4671		16.14 x 6.30 x .709
Shoes	non-dated		4656	81502016187; 81502016188	16.14 x 6.30 x .748
REAR					
Shoes	non-dated		4672		16.14 x 8.66 x .709
Shoes	non-dated		4657		16.14 x 8.66 x .749
MCI COACH / BUS					
MODEL 300; 330					MOTOR COACH INC
FRONT					
Pads	non-dated	F072	78X8		
REAR					
Pads	non-dated	F072	78X8		
E MODEL - RENNAISSANCE					MOTOR COACH INC
FRONT					
Pads	non-dated	F120	78W6A	OEM # 04-01-1007	
TRANSIT COACH					MOTOR COACH INC
FRONT					
Shoes	non-dated		4227E		14.5 x 4
Shoes	non-dated		4398D		14.5 x 5 x .750
Shoes	non-dated		4228F		14.5 x 6 x .750
Shoes	non-dated		4690	front wedge	15.125 x 6 x .813
REAR					
Shoes	non-dated		4541C	same as 4541D but no spring holes	14.5 x 8 x .750
Shoes	non-dated		4541B		14.5 x 8 x .750
Shoes	non-dated		4592A		14.5 x 10 x .750
Shoes	non-dated		4691	rear wedge	15.125 x 10 x .813
OVERSIZE LINING					MOTOR COACH INC
Shoes	non-dated		Lining	All Available in Standard	
Shoes	non-dated		Lining	X (1st oversize)	
Shoes	non-dated		Lining	XX (2nd oversize) (Y)	
Shoes	non-dated		Lining	.937 (unf.m oversize)	

Pads/Shoes	Years	Part No.	Lining	Description	Technical
MERCEDES					
CS / MS SERIES					MERCEDES
FRONT					
Pads	1997-1988	D225	7818	w/Bendix 2.88" caliper	w/200P
Pads	1997-1992	D225	7818	w/Bendix 2.88" caliper	w/250P
Pads	1997-1992	D225	7818	w/Bendix 2.88" caliper	w/300P
Pads	1997-1992	D225	7818	w/Bendix 2.88" caliper	w/300T
2008D; 212D; 214TD; 308D					MERCEDES
FRONT					
Pads	1995-Up	F107	7X04		
REAR					
Pads	1995-Up	F109	7X08		
312TD; 314TD					MERCEDES
FRONT					
Pads	1995-Up	F107	7X04		
REAR					
Pads	1995-Up	F106	7X03		
412D; 414TD					MERCEDES
FRONT					
Pads	1995-Up	F100	78W3		
REAR					
Pads	1995-Up	F100	78W3		
LKN 10 - 16T					MERCEDES
FRONT					
Pads	non-dated	F162	78W13S		
ATEGO					MERCEDES
FRONT					
Pads	Up to 1998	F162	78W13S		
0-404					MERCEDES
FRONT					
Pads	Up to 1991	F072	78X8S		
3-350					MERCEDES
FRONT					
Pads	Up to 1994	F072	78X8S		
Mercedes w/KNORR Brakes					MERCEDES
FRONT					
Pads	Up to 1998	F162	78W13S		
FA 1117					MERCEDES
FRONT					
Shoes	1991		4697D	Mercedes No. 376-423-39-10	
Shoes	1991		4694D	Mercedes No. 376-423-39-10	
L1113; L1117; LP1219					MERCEDES
FRONT					
Shoes	1984-Up		4697D		16.14 x 4.72 x .709
REAR					
Shoes	1984-Up		4697D		16.14 x 4.72 x .709
L1317; L1319; L1418; LP1419; LPS1525					MERCEDES
FRONT					
Shoes	1985-Up		4695D		16.14 x 5.51 x .709
REAR					
Shoes	1985-Up		4671D		16.14 x 6.30 x .709
MERITOR					

Pads/Shoes	Years	Part No.	Lining	Description	Technical
Meritor Caliper					MERITOR
FRONT					
Pads	non-dated	D1323	8435	EX225 Caliper H3 Transit	
Pads	non-dated	D1311	8426	EX225 Caliper, Part # 2252H2CD	
Pads	non-dated	D1312	8427	Meritor HD Caliper, Part # 68932068NZZ	
MITSUBISHI FUSO TRUCK					
FUSO FE SERIES					FUSO
FRONT			FE120, FE140, FE145, FE180, FE639, FE640, FE649		
Pads	2007-2005	D1265	8382	FE120, FE140, FE145	
Pads	2005-2000	D734	7603	FE639 T, FE640, FE649	
Pads	2005-2000	D735	7604	FE639L	8-pc set
Pads	1999-4/95	D734	7603	FE640, FE649	
Pads	1999-4/95	D735	7604	FE639	8-pc set
Pads	3/95-12/88	D433	7500	2-sets required	dual caliper
REAR					
Pads	2007-2005	D1265	8382	FE120, FE140, FE145, FE180	
Shoes	2005-1987	S682		320mm x 75mm	
FUSO FE439 TILT CAB					FUSO
FRONT					
Pads	2002-1995	D735	7604	8-pc set	From 4/95
Pads	1995-1989	D433	7500	8-pc set	To 3/95
REAR					
Shoes	2002-1989	S682	1467D		12.5/8 x 3
FUSO FE444 TILT CAB					FUSO
FRONT					
Pads	1992-1989	D433	7500		8-pc set
Pads	1988-1987	D624	7499		
REAR					
Shoes	1992-1987	S682	1467D		12.5/8 x 3
FUSO FE449 TILT CAB					FUSO
FRONT					
Pads	2002-1995	D735	7604	8-pc set	From 4/95
Pads	1995-1989	D433	7500	8-pc set	To 3/95
REAR					
Shoes	2002-1989	S682	1467D		12.5/8 x 3
FUSO FE639 TILT CAB					FUSO
FRONT					
Pads	2004-1995	D735	7603	w/4-wheel disc brakes	From 4/95
Pads	1995-1992	D433	7500	8-pc set	To 3/95
REAR					
Pads	2004-1995	D734	7603	8-pc set	12.5/8 x 3
Shoes	2004-1992	S682	1467D	w/rear drum * from 4/95	12.5/8 x 3
FUSO FE640 TILT CAB					FUSO
FRONT					
Pads	2004-2000	D734	7603	w/4-wheel disc brakes	8-pc set
Pads	2004-1996	D735	7604	w/rear drum	8-pc set
REAR					
Pads	2004-2000	D734	7603		8-pc set
Shoes	2004-1996	S682	1467D		12.5/8 x 3
FUSO FE649 TILT CAB					FUSO
FRONT					
Pads	2004-1995	D734	7603	w/4-wheel disc brakes	single or dual caliper
REAR					

Pads/Shoes	Years	Part No.	Lining	Description	Technical
<i>Pads</i>	2004-1996	D734	7603	w/4-wheel disc brakes	
<i>Shoes</i>	1995	S682	1467D	w/rear drum * from 4/95	12.5/8 x 3
FUSO FG434, FG439 TILT CAB					FUSO
FRONT					
<i>Shoes</i>	2001-1990	S682	1467D		12.5/8 x 3
REAR					
<i>Shoes</i>	2001-1990	S682	1467D		12.5/8 x 3
FUSO FG639 TILT CAB					FUSO
FRONT					
<i>Shoes</i>	2004-1998	S682	1467D	MC865115	12.5/8 x 3
REAR					
<i>Shoes</i>	2004-1998	S682	1467D	MC865115	12.5/8 x 3
FUSO FG649 TILT CAB					FUSO
FRONT					
<i>Shoes</i>	2004-2001	S682	1467D	MC865115	12.5/8 x 3
REAR					
<i>Shoes</i>	2004-2001	S682	1467D	MC865115	12.5/8 x 3
FUSO FH SERIES TRUCK					FUSO
FRONT					<i>FH100, FH211</i>
<i>Shoes</i>	2004-1996	S730	1501D	320mm x 120mm	12.5/8 x 4.3/4
<i>Shoes</i>	1995-1988	S602	1410D	320mm x 110mm	12.5/8 x 4.3/8
REAR					
<i>Shoes</i>	2004-1987	S731	1502D		12.5/8 x 5.1/2
<i>Shoes</i>	1995-1988	S632	1434D		12.5/8 x 5.1/8
FUSO FK SERIES TRUCK					FUSO
FRONT					<i>FK415, FK417, FK457, FK617</i>
<i>Shoes</i>	2000-1987	S617	1422D	400mm x 120mm	
REAR					
<i>Shoes</i>	2000-1987	S686	1419D	400mm x 155mm	
FUSO FM555 TILT CAB					FUSO
FRONT					
<i>Shoes</i>	1995-1985		1418AD	w/air brakes	16.1/8 x 5.1/2
REAR					
<i>Shoes</i>	1995-1985		4738D	w/air brakes	16.1/8 x 7.7/8
FUSO FM557 TILT CAB					FUSO
FRONT					
<i>Shoes</i>	1995-1989		1418AD	w/air brakes	16.1/8 x 5.1/2
REAR					
<i>Shoes</i>	1995-1989		4738D	w/air brakes	16.1/8 x 7.7/8
FUSO FM617 TILT CAB					FUSO
FRONT					
<i>Shoes</i>	2004-1996	S617	1422D		15.3/4 x 4.3/4
<i>Shoes</i>	2000-1996		1418E	10-hole; straight line pattern	
REAR					
<i>Shoes</i>	2004-1996	S686	1419D		15.3/4 x 6.1/8
FUSO FM657 TILT CAB					FUSO
FRONT					
<i>Shoes</i>	2004-1999		4739D	w/air brakes; FM657 M/T	16.1/8 x 5.7/8
<i>Shoes</i>	1998-1996		1418AD	w/air brakes (9504.1 to 9801.3) 9802.1 - Up	16.1/8 x 5.1/2
REAR					
<i>Shoes</i>	2004-1986		4738D	w/air brakes; FM657 M/T	16.1/8 x 7.7/8
MONACO					
SIGNATURE SERIES					MONACO

Pads/Shoes	Years	Part No.	Lining	Description	Technical
FRONT					
Pads	2006-2005	F256	78W42A	Haldux 976003	
NEOPLAN					
NEOPLAN Series					NEOPLAN
FRONT					
Shoes	non-dated		4699D	NEO-04D	16.14 x 8.66 x .715
Shoes	non-dated		4228F	AK0800001-139	14.5 x 6
Shoes	non-dated		4398D	RKLA 313722D36	14.5 x 5
Shoes	non-dated		4712	Transit Bus (410 x 160)	
Shoes	non-dated		4699	Transit Bus (Perrot)	
REAR					
Shoes	non-dated		4712D	NEO-03D	16.14 x 6.28 x .750
Shoes	non-dated		4722D	NEO-05D	16.14 x 7.066 x .750
Shoes	non-dated		4592A	AK0700001-318	14.5 x 10
Shoes	non-dated		4712	Transit Bus (410 x 160)	
Shoes	non-dated		4699	Transit Bus (Perrot)	
NIEDERFLUR, SKYLINER, SPACELINER, TRANSLINER					NEOPLAN
FRONT					
Pads	1992-Up	F067	786X		
NEW FLYER BUS					
FLYER BUS					NEW FLYER BUS
FRONT					
Shoes	2005-2003		4656D	Most MAN axles; low floor on 2005 models	16.140 x 6.399
REAR					
Shoes	1992-1985		4657D	Most MAN axles; low floor on 2005 models	16.140 x 8.770
Shoes	1992-1985		4657D	rear shoe # 36442391.1	16.140 x 8.66 x .748
ORION BUS					
ORION BUS (Various Models)					ORION BUS
FRONT					
Shoes	non-dated		4228F	A0102507MA	14.5 x 6
REAR					
Shoes	non-dated		4592A	A0102519MM	14.5 x 10
Shoes	non-dated		4X73	OR-01D	15.52 x 8.00
PREVOST COACH / BUS					
LeMIRAGE XL					PREVOST
FRONT					
Shoes	up to 1986		4398B		
REAR					
Shoes	up to 1986		4592		
MARATHON XL					PREVOST
FRONT					
Shoes	up to 1986		4398B		
REAR					
Shoes	up to 1986		4592		
PREVOST S-41					PREVOST
FRONT					
Shoes	1986-1973		4398B		
REAR					
Shoes	up to 1984		4541B		
PREVOST TS-47					PREVOST
FRONT					

Pads/Shoes	Years	Part No.	Lining	Description	Technical
Shoes	1986-1973		4398B		
w/KNORR BRAKES					PREVOST
FRONT					
Pads	1994-up	F067A	786x		
PREVOST, Certain Models					PREVOST
FRONT					
Pads	up to 1989	D268	7173		
REAR					
Pads	up to 1989	D268	7173		
TRANSIT COACH					TRANSIT COACH
FRONT					
Shoes	non-dated		4227E		14.5 x 4
Shoes	non-dated		4398D		14.5 x 5 x .750
Shoes	non-dated		4228F		14.5 x 6 x .750
Shoes	non-dated		4690	front wedge	15.125 x 6 x .813
REAR					
Shoes	non-dated		4541C	same as 4541D but no spring holes	14.5 x 8 x .750
Shoes	non-dated		4541B		14.5 x 8 x .750
Shoes	non-dated		4592A		14.5 x 10 x .750
Shoes	non-dated		4691	rear wedge	15.125 x 10 x .813
OVERSIZE LINING					TRANSIT COACH
Shoes	non-dated		Lining	All Available in Standard	
Shoes	non-dated		Lining	X (1st oversize)	
Shoes	non-dated		Lining	XX (2nd oversize) (Y)	
Shoes	non-dated		Lining	.937 (unf.m oversize)	
RENAULT					
AGORA					RENAULT
FRONT					
Pads	1996-1992	F072	78X8S		
RENAULT PREMIUM; AE					RENAULT
FRONT					
Pads	Up to 1996	F072	78X8S		
SAF / SAUER					
w/KNORR Brakes					S A F
FRONT					
Pads	Up to 1999	F162	78W13S		
SB 7000					S A F
FRONT					
Pads	non-dated	F067	78W13S	OE caliper Knorr	rear axle fitment
SCANIA BUS					
SCANIA BUS Series					SCANIA BUS
FRONT					
Pads	non-dated	F067	78W13S		
Pads	non-dated	F067A	786X		
Pads	non-dated	F136	78W11		
Pads	non-dated	F174	78W18A		
REAR					
Shoes	1989-1988		4721	Scania P 112	16.5 x 8.0 x .830
Shoes	1989-1988		4721	Scania P 113	16.5 x 8.0 x .830
Shoes	non-dated		4X52	P94 DB 4X2, NA 220	16.25 x 7.0 * 12-holes
Shoes	non-dated		4X53	P114 CB 4X4 NA 340	16.25 x 7.0 * 16-holes

Pads/Shoes	Years	Part No.	Lining	Description	Technical
Shoes	non-dated		4X54	P114 CB 6X4 NA 340	16.25 x 8.0 * 16-holes
Shoes	non-dated		4X56	K114 IB 4X2 Buscar-Rizar-NB	16.14 x 10" * 16-holes
Shoes	non-dated		4X57	K124 IB 4X2 Buscar-Rizar-NB	16.25 x 10" * 12-holes
SCANIA PSV					SCANIA BUS
FRONT					
Pads	non-dated	F067	78W13S	w/Knorr SB 7000 brake	
SPRINTER VANS * Dodge, Freightliner, Mercedes					
SPRINTER 2500 VAN					SPRINTER
FRONT					
Pads	2007	D1316	8430		
Pads	2006-2002	D1136	8246	similar to D949, except for wear sensor	DRW, 16" wheels
Pads	2005-2002	D1177	8293	similar to D950	
Pads	2006-2002	D949	78W3	Bosch caliper, 285mm frt rotor/272mm rr rotor	can use: CFD F100
Pads	2006-2002	D950	7849	Teves caliper, 276mm frt rotor/272mm rr rotor	
Pads	2006-2002	D949	78W3	w/ Wabco/Perrot brake system	
REAR					
Pads	2007	D1317	8431		
Pads	2006-2004	D1136	8246	w/ Bosch dual piston caliper, 285 mm rotor	DRW, 16" wheels
Pads	2006-2004	D1136	8246	w/ Wabco/Perrot brake, 285mm rotor	11.22" rear rotor
Pads	2006-2002	D949	78W3	w/ Bosch brake system, 285mm rotor	
Pads	2006-2002	D928	7829	w/ Bosch single piston caliper	
Pads	2006-2002	D1006	8327	w/ Teves brake system, 272mm (10.69) rotor	with 16" wheel
Pads	2006-2002	D949	78W3	w/ Wabco/Perrot brake system, 285mm	11.22 rotor
Pads	2006-2002	D1229	8327	Teves front caliper; similar to D1006	with 16" wheel
Pads	2006-2002	D951	7850	Teves front caliper	exc. 16" wheel
Pads	2003	D1177	8293	similar to D950	
PARKING BRAKE					
Shoes	2007	PB938	1598	not available	
Shoes	2005-2003	PB866	1590	not available	6.32 x 1.58
SPRINTER 3500 VAN					SPRINTER
FRONT					
Pads	2007	D1268	8383	fits both SRW and DRW	
Pads	2006-2002	D949	78W3	w/ Bosch dual piston caliper, 285 mm rotor	11.22 rotor
Pads	2006-2002	D950	7849	w/ Teves brake system, 272mm (10.69) rotor	
Pads	2006-2002	D1136	8246	similar to D949, except for wear sensor	DRW, 16" wheels
Pads	2006-2002	D949	78W3	w/ Wabco/Perrot brake system, 285mm	11.22 rotor
REAR					
Pads	2007	D1317	8431	SRW	
Pads	2007	D1318	8432	DRW	
Pads	2006-2004	D1136	8246	w/ Bosch dual piston caliper, 285 mm rotor	11.22 rotor, DRW 16"
Pads	2006-2004	D1136	8246	w/ Wabco/Perrot brake system, 285mm	11.22 rotor
Pads	2006-2002	D949	78W3	w/ Bosch brake system, 285mm rotor	
Pads	2006-2002	D928	7829	w/ Bosch single piston caliper	
Pads	2006-2002	D1006	8327	w/ Teves brake system, 272mm (10.69) rotor	with 16" wheel
Pads	2006-2002	D949	78W3	w/ Wabco/Perrot brake system, 285mm	11.22 rotor
Pads	2006-2002	D1229	8327	Teves front caliper; similar to D1006	with 16" wheel
PARKING BRAKE					
Shoes	2007	PB938	1595	SRW	
Shoes	2007	PB940	1632	DRW	
Shoes	2005	PB865	1589	not available	6.63 x 1.58
STERLING TRUCK					
ACTERRA 5500, 6500, 7500					STERLING TRUCK

Pads/Shoes	Years	Part No.	Lining	Description	Technical
FRONT					
Pads	2006-1998	D786	7654	66mm pin slide caliper cast # 4153269	
Pads	2006-1998	D786A	7655	73mm pin slide caliper cast # 4153222	
Pads	2006-1998	D184	7815	2.60" with one or two piston caliper	rail-slide caliper
Pads	2006-1998	D225	7818	Bendix, w/2.88" 2-piston caliper	rail-slide caliper
REAR					
Pads	2006-1998	D786	7654	66mm pin slide caliper cast # 4153269	
Pads	2006-1998	D786A	7655	73mm pin slide caliper cast # 4153222	
Pads	2006-1998	D184	7815	2.60" with one or two piston caliper	rail-slide caliper
Pads	2006-1998	D225	7818	Bendix, w/2.88" 2-piston caliper	rail-slide caliper
827Si; 817Li STERLING TRUCK					
FRONT					
Pads	1991	D405	7294		
REAR					
Pads	1991	D406	7295		
STERLING MODEL AXLE TYPE STERLING TRUCK					
FRONT					
Pads	2002-2001	D1032	7636	FC-941, 8k (front)	
Pads	2002-2001	D1032	7636	FF-941, 10k / 12k (front)	
REAR					
Pads	2002-2001	D1032	7636	RS-15 Wide Trakc J1 Flange 13k / 15k	
Pads	2002-2001	D1032	7636	RS-17/29 L-Spindle J1 Flange 17k / 19k	
Pads	2002-2001	D1032	7636	RS-21/23 R-Spindle J1 Flange 21k / 23k	
w/Meritor Axles STERLING TRUCK					
FRONT					
Pads	non-dated	D1032	7636	w/axle: FC-941, 8k	
Pads	non-dated	D1032	7636	w/axle: FF-941, 10k / 12k	
REAR					
Pads	non-dated	D1032	7636	w/axle: RS-15 track, J1 flange, 13k / 15k	
Pads	non-dated	D1032	7636	w/axle: RS-17 / 19 L spindle, J1 flange	17k / 19k
Pads	non-dated	D1032	7636	w/axle: RS-21 / 23 R-spindle, J1 flange	21k / 23k
THEURER TRAILER					
THEURER TRAILER THEURER TRAILER					
REAR					
Shoes	non-dated		1477TT	420 x 180	16.54 x 8.0 x .830
THOMAS SCHOOL BUS					
CONVENTIONAL BUS (Chassis # 89422) THOMAS BUS					
FRONT					
Shoes	2006	4715	4715	A52-3222-P-2200	M2006
REAR					
Shoes	2006	4711	4711	A37-3222-K-2169	M2006
CONVENTIONAL BUS (32-72 Passenger) THOMAS BUS					
FRONT					
Pads	2005-2003	D786	7654	Freightliner, Navistar, Bosch w/2.6"	piston
Pads	2005-2003	D786A	7655	Freightliner, Navistar, Bosch w/2.87"	piston
Pads	2005-2003	D1032	7636	Bus	was D769
Pads	To 1998	D184	7815	Bendix; with one piston or piston caliper	
Pads	To 1998	D225	7818	Navistar chassis; Bendix w/2.88" piston	
Pads	To 1998	D236	7809	Ford Chassis; Dayton w/2.88" piston	
Pads	To 1998	D224	7807	Ford Chassis; Dayton w/2.6" piston	
REAR					
Pads	2005-2003	D786	7654	Freightliner, Navistar, Bosch w/2.6"	piston

Pads/Shoes	Years	Part No.	Lining	Description	Technical
Pads	2005-2003	D786A	7655	Freightliner, Navistar, Bosch w/2.87"	piston
Pads	2005-2003	D1032	7636	Bus	was D769
Pads	To 1998	D184	7815	Bendix; with one or two piston caliper	
Pads	To 1998	D225	7818	Navistar chassis; Bendix w/2.88" piston	
Pads	To 1998	D236	7809	Ford Chassis; Dayton w/2.88" piston	
Pads	To 1998	D224	7807	Ford Chassis; Dayton w/2.6" piston	
MINOTOUR Bus, Westport					THOMAS BUS
FRONT					
Pads	2005-2002	D786	7654	66mm pin slide caliper cast # 4153269	
Pads	2005-2002	D786A	7655	73mm pin slide caliper cast # 4153222	
Pads	2005-2002	D1032	7636	4-piston caliper	was D769
Pads	2001-2000	D655	7535	Ford chassis w/rear disc	
Pads	2000-1995	D655	7535	Ford chassis w/rear drum	
Pads	1998-1988	D411	7299	Ford chassis; w/4-whl disc	
Pads	1994-1992	D557	7436	Ford chassis w/rear drum	
Pads	To 1991	D450	7330	Ford chassis w/rear drum	
Pads	1997-1979	D149	7081	GM chassis	
REAR					
Pads	2005-2002	D786	7654	66mm pin slide caliper cast # 4153269	
Pads	2005-2002	D786A	7655	73mm pin slide caliper cast # 4153222	
Pads	2005-2002	D1032	7636	4-piston caliper	was D769
Pads	2001-2000	D702	7576	Ford chassis w/rear disc	
Pads	1998-1988	D411	7299	Ford chassis; w/4-whl disc	
TRANSIT LINIER - EF					THOMAS BUS
FRONT					
Pads	1997-1982	D184	7815	Bendix; with one or two piston caliper	
Pads	1997-1982	D225	7818	Bendix; w/2.88" piston	
REAR					
Pads	1997-1982	D184	7815	Bendix; with one or two piston caliper	
Pads	1997-1982	D225	7818	Bendix; w/2.88" piston	
VISTA					THOMAS BUS
FRONT					
Pads	1997-1979	D225	7818	Bendix; w/2.88" piston	
REAR					
Pads	1997-1982	D225	7818	Bendix; w/2.88" piston	
MERITOR AXLE					THOMAS BUS
FRONT					
Pads	2002-2001	D1032	7636	Westport 10k I 12k (front)	
REAR					
Pads	2002-2001	D1032	7636	Dana J-190-S (5.022 offset)	19k (rear)
TRANSIT BUS (Misc.)					
MISC. TRANSIT BUSES					TRANSIT BUS
FRONT					
Shoes	non-dated		4227E	Flxible, GMC Coach	14.5 x 4
Shoes	non-dated		4228F	Flxible	14.5 x 6
Shoes	non-dated		4398D	Flxible, Flyer, GMC Coach, MCI, Prevost	14.5 x 5
Shoes	non-dated		4524C	Chev Trk, Eagle, GMC Truck, Rockwell	16.5 x 5
Shoes	non-dated		4541B	Flxible, Flyer, GMC Coach, MCI	14.5 x 8
Shoes	non-dated		4541B	Prevost, Rockwell Axle	14.5 x 8
Shoes	non-dated		4549B	Flxible, GMC Coach/Truck, Mack Truck	16.5 x 4
Shoes	non-dated		4549B	Rockwell Axle, Timpote, Trailmobile	16.5 x 4
Shoes	non-dated		4551C	Eagle	16.5 x 8.5/8
Shoes	non-dated		4552D	Rockwell Axle (Meritor)	16.5 x 10"

Pads/Shoes	Years	Part No.	Lining	Description	Technical
UD TRUCK (NISSAN DIESEL)					
UD 1100 TILT CAB					UD TRUCK
FRONT					
Shoes	1991-1988	S680	1465D		12.5/8 x 2.1/2
Shoes	1991-1988	S717	1464D		12.5/8 x 5.3/8
REAR					
Shoes	1991-1988	S680	1465D		12.5/8 x 2.1/2
Shoes	1991-1988	S717	1464D		12.5/8 x 5.3/8
UD 1200 TILT CAB					UD TRUCK
FRONT					
Pads	2004-1999	D701	7575		
REAR					
Shoes	2004-1999	S695	1478D	320mm x 90mm	12.5/8 x 3.1/2
UD 1300 TILT CAB					UD TRUCK
FRONT					
Pads	2007-2005	D701	7575		
Shoes	1993-1992	S681	1466D	320mm x 75mm	12.5/8 x 3
REAR					
Shoes	1993-1992	S681	1466D		12.5/8 x 3
UD 1400 TILT CAB					UD TRUCK
FRONT					
Pads	2007-1994	D701	7575		
REAR					
Shoes	2004-1994	S695	1478D		12.5/8 x 3.1/2
UD 1800, 1800HD					UD TRUCK
FRONT					
Shoes	2002-1999	S603	1411D	Model CLE	14.5/8 x 4
Shoes	2002-1995	S602	1410D	Model MKA, MKB	12.5/8 x 4.3/8
Shoes	2005-1999	S603	1411D	Model LKC	14.5/8 x 4
Shoes	1994-1989	S603	1411D	Model CLE	14.5/8 x 4
Shoes	1994-1989	S602	1410D	Model CME	12.5/8 x 4.3/8
REAR					
Shoes	2005-1999	S679	1464D	Model MKA, MKB; w/o wheel park	12.5/8 x 5.3/8
Shoes	2005-1999	S680	1465D	Model MKA, MKB; with wheel park	12.5/8 x 2.1/2
Shoes	2002-1995	S679	1464D	Model CME, w/o wheel park	12.5/8 x 5.3/8
Shoes	2002-1995	S604	1412D	Model LKC	14.5/8 x 5.1/4
Shoes	2002-1995	S717	1464D	w/wheel park, 320mm x 135mm	12.5/8 x 5.3/8
Shoes	1994-1989	S604	1412D	Model CLE;	14.5/8 x 5.1/4
Shoes	1994-1989	S679	1464D	Model CME; 320mm x 135mm	12.5/8 x 5.3/8
UD 1800CS TILT CAB					UD TRUCK
FRONT					
Shoes	2005-1999	S602	1410D		12.5/8 x 4.3/8
REAR					
Shoes	2005-1999	S695	1478D		12.5/8 x 5.3/8
UD 2000 TILT CAB					UD TRUCK
FRONT					
Shoes	2005-1995	S602	1410D	Model MKA, MKB	12.5/8 x 4.3/8
Shoes	2005-1995	S603	1411D	Model LKC	14.5/8 x 4
Shoes	1994-1989	S603	1411D	Model CLE	14.5/8 x 4
Shoes	1994-1989	S602	1410D	Model CME	12.5/8 x 4.3/8
Shoes	1994-1989	S604	1412D		14.5/8 x 5.1/4
REAR					
Shoes	2005-1995	S717	1464D	w/wheel park	12.5/8 x 5.3/8

Pads/Shoes	Years	Part No.	Lining	Description	Technical
Shoes	2005-1995	S679	1464D	Model MKA, MKB	12.5/8 x 5.3/8
Shoes	2005-1995	S604	1412D	Model LKC	14.5/8 x 5.1/4
Shoes	2005-1995	S680	1465D	Model MKA, MKB	12.5/8 x 2.1/2
Shoes	1994-1989	S604	1412D	Model CLE	14.5/8 x 5.1/4
Shoes	1994-1989	S679	1464D	Model CME	12.5/8 x 5.3/8
UD 2300DH TILT CAB					UD TRUCK
FRONT					
Shoes	2005-1995	S603	1411D	Model LKC	14.5/8 x 4
Shoes	2005-1995	S602	1410D	Model MKA, MKB	12.5/8 x 4.3/8
Shoes	1994-1989	S603	1411D		14.5/8 x 4
REAR					
Shoes	2005-1995	S604	1412D	Model LKC	14.5/8 x 5.1/4
Shoes	2005-1995	S679	1464D	Model MKA, MKB	12.5/8 x 5.3/8
Shoes	2005-1995	S680	1465D	Model MKA, MKB	12.5/8 x 2.1/2
Shoes	1994-1989	S604	1412D		14.5/8 x 5.1/4
UD 2300LP TILT CAB					UD TRUCK
FRONT					
Shoes	2005-1995	S603	1411D	Model LKC	14.5/8 x 4
Shoes	2005-1995	S602	1410D	Model MKA, MKB	12.5/8 x 4.3/8
Shoes	1994-1989	S603	1411D		14.5/8 x 4
REAR					
Shoes	2005-1995	S604	1412D	Model LKC	14.5/8 x 5.1/4
Shoes	2005-1995	S679	1464D	Model MKA, MKB	12.5/8 x 5.3/8
Shoes	2005-1995	S680	1465D	Model MKA, MKB	12.5/8 x 2.1/2
Shoes	1994-1989	S604	1412D		14.5/8 x 5.1/4
UD 2600 TILT CAB					UD TRUCK
FRONT					
Shoes	2005-1989	S617	1422D		15.3/4 x 4.3/4
REAR					
Shoes	2005-1989	S614	1419D		15.3/4 x 6
UD 2800 TILT CAB					UD TRUCK
FRONT					
Shoes	2002-1989	S617	1422D		15.3/4 x 4.3/4
REAR					
Shoes	2002-1989	S614	1419D		15.3/4 x 6
UD 3000, 3000HD, 3000SD					UD TRUCK
FRONT					
Shoes	2002-1989	S617	1422D		15.3/4 x 4.3/4
REAR					
Shoes	2002-1989	S614	1419D		15.3/4 x 6
UD 3300 TILT CAB					UD TRUCK
FRONT					
Shoes	2004-1999		14X9		15.75 x 5.937 x .562
Shoes	1994-1992		1490	UD3300; 600T	15.75 x 5.080 x .598
Shoes	1991-1989	S617	1422D		15.3/4 x 4.3/4
REAR					
Shoes	2004-1999		46X4	N0101	16.00 x 8.687 x .600
Shoes	1994-1989		431X	CPC, CPCBT, 3300, 500T, 600T	16.50 x 7.06 x .715
Shoes	1991-1989	S614	1419D		15.3/4 x 6
UD 550T TILT CAB (UD3300)					UD TRUCK
FRONT					
Shoes	1991-1989	S617	1422D		15.3/4 x 4.3/4
REAR					

Pads/Shoes	Years	Part No.	Lining	Description	Technical
Shoes	1991-1989	S614	1419D		15.3/4 x 6
UD CLA83 TILT CAB					UD TRUCK
FRONT					
Shoes	1988-1986	S603	1411D		14.5/8 x 4
REAR					
Shoes	1988-1986	S604	1412D		14.5/8 x 5.1/4
UD CMA83 TILT CAB					UD TRUCK
FRONT					
Shoes	1988-1986	S603	1411D		14.5/8 x 4
REAR					
Shoes	1988	S679	1464D		12.5/8 x 5.3/8
Shoes	1987-1986	S632	1434D		12.5/8 x 5.1/8
UD CPB12 TILT CAB					UD TRUCK
FRONT					
Shoes	1988-1986	S617	1422D		15.3/4 x 4.3/4
REAR					
Shoes	1988-1986	S614	1419D		15-3/4 x 6
VAN HOOL (Coaches)					
C2000					VAN HOOL
FRONT					
Pads	non-dated	F072	78X8S	N508206016	WL016 Sensor
T2100					VAN HOOL
FRONT					
Pads	non-dated	F072	78X8S		WL016 Sensor
A420 - A440					VAN HOOL
FRONT					
Pads	non-dated	F069	78X4		WL016 Sensor
VOLVO					
VME REAR DUMP TRUCK					VOLVO
FRONT					
Pads	non-dated	31749-S	78X4A		
Articulated Dump Truck					VOLVO
FRONT					
Pads	1994-Up	31749-S	78X4-Z		
Pads	non-dated	30566		multi-calipers per wheel	
BUS - B10; B12; B310					VOLVO
FRONT					
Pads	non-dated	F120	78W6A		
Shoes	1985-1982		4664	Various Models	15.5 x 8.0 x .750
REAR					
Shoes	1985-1982		4698	Various Models	15.5 x 10.0 x .750
L50 - Loader / Coaches					VOLVO
FRONT					
Shoes	non-dated	31749-S	78X4A		
FE 6 SERIES					VOLVO
FRONT					
Shoes	1976-Up		1356		15.50 x 5.00 x .500
Shoes	1986-1982		1474		15.50 x 4.96 x .470
Shoes	non-dated		1475		15.50 x 5.94 x .480
Shoes	non-dated		1476		15.50 x 5.95 x .47
REAR					
Shoes	1976-Up		1357		15.50 x 6.00 x .500

Pads/Shoes	Years	Part No.	Lining	Description	Technical
MODEL 724					VOLVO
FRONT					
Shoes	1983-1980		4696		16.25 x 5.00 x .750
REAR					
Shoes	non-dated		4663		15.50 x 7.00 x .750
WINNEBAGO					
MINNIE					WINNEBAGO
FRONT					
Pads	2001-1995	D655	7535	Ford Chassis; E350 DRW	
Pads	1994-1992	D557	7436	Ford Chassis; E350 DRW	
REAR					
Pads	2001-1995	D702	7576	Ford Chassis; E350 DRW	
MINNIE WINNIE					WINNEBAGO
FRONT					
Pads	2001-1995	D655	7535	Ford Chassis;	
Pads	1994-1992	D557	7436	Ford Chassis;	
REAR					
Pads	2001-1995	D702	7576	Ford Chassis; E350 DRW	
CHIEFTAN					WINNEBAGO
FRONT					
Pads	2001-1999	D786	7654	Freightliner Chassis; w/Bosch 2.6" piston	calipers
Pads	1998	D184	7815	Bendix; with one or two piston caliper	Freightliner chassis
Pads	1998	D236	7809	Ford Chassis; w/Dayton 2.88 caliper	
Pads	1998	D149	7081	Ford Chassis; w/Dayton 2.50 caliper	
Pads	1998	D149	7081	GM Chassis; w/Delco caliper	
Pads	1998	D184	7815	Bendix; with one or two piston caliper	w/Bosch caliper
REAR					
Pads	2001-1999	D786	7654	Freightliner Chassis; w/Bosch 2.6" piston	calipers
Pads	1998	D184	7815	Bendix; with one or two piston caliper	Freightliner chassis
Pads	1998	D236	7809	Ford Chassis; w/Dayton 2.88 caliper	
Pads	1998	D149	7081	Ford Chassis; w/Dayton 2.50 caliper	
Pads	1998	D149	7081	GM Chassis; w/Delco caliper	
Pads	1998	D184	7815	Bendix; with one or two piston caliper	w/Bosch caliper
ADVENTURE					WINNEBAGO
FRONT					
Pads	2001-1999	D786	7654	Freightliner Chassis; w/Bosch 2.6" piston	calipers
Pads	1998	D184	7815	Bendix; with one or two piston caliper	
Pads	1998	D236	7809	Ford Chassis; w/Dayton 2.88 caliper	
Pads	1998	D149	7081	Ford Chassis; w/Dayton 2.50 caliper	
Pads	1998	D149	7081	GM Chassis; w/Delco caliper	
Pads	1998	D184	7815	Bendix; with one or two piston caliper	
REAR					
Pads	2001-1999	D786	7654	Freightliner Chassis; w/Bosch 2.6" piston	calipers
Pads	1998	D184	7815	Bendix; with one or two piston caliper	
Pads	1998	D236	7809	Ford Chassis; w/Dayton 2.88 caliper	
Pads	1998	D149	7081	Ford Chassis; w/Dayton 2.50 caliper	
Pads	1998	D149	7081	GM Chassis; w/Delco caliper	
Pads	1998	D184	7815	Bendix; with one or two piston caliper	
COMMERCIAL / SPECIALTY CHASSIS					WINNEBAGO
FRONT					
Pads	2001-1995	D655	7535	SF 324RS	
Pads	1994-1992	D557	7436	SF 324RS	
Pads	2001-1999	D786	7654	Freightliner Chassis; w/Bosch 2.6" piston	Caliper

Pads/Shoes	Years	Part No.	Lining	Description	Technical
Pads	1998-1995	D184	7815	Bendix; with one piston or piston caliper	SCF30WS; SCG34WS
Pads	1998-1995	D236	7809	Ford Chassis; w/Dayton 2.88" caliper	
Pads	1998-1995	D224	7807	Ford Chassis; w/Dayton 2.50" caliper	
Pads	1998	D149	7081	GM Chassis; w/Delco Caliper	
Pads	1998	D184	7815	Bendix; with one or two piston caliper	w/Bosch caliper
REAR					
Pads	2001-1995	D655	7535	SF 324RS	
Pads	2001-1999	D786	7654	Freightliner Chassis; w/Bosch 2.6" piston	Caliper
Pads	1998-1995	D184	7815	Bendix; with one or two piston caliper	SCF30WS; SCG34WS
Pads	1998-1995	D236	7809	Ford Chassis; w/Dayton 2.88" caliper	
Pads	1998-1995	D224	7807	Ford Chassis; w/Dayton 2.50" caliper	
Pads	1998	D149	7081	GM Chassis; w/Delco Caliper	
Pads	1998	D184	7815	Bendix; with one or two piston caliper	w/Bosch caliper
VECTRA MOTOR HOME WINNEBAGO					
FRONT					
Pads	1998-1988	D411	7299	Ford chassis; 4-Wheel Disc	
Pads	1998-1974	D149	7081	GM Chassis	
Pads	1998-1992	D184	7815	Bendix; with one or two piston caliper	Freightliner chassis
REAR					
Pads	1998-1988	D411	7299	Ford chassis; 4-Wheel Disc	
Pads	1998-1974	D149	7081	GM Chassis	
Pads	1998-1992	D184	7815	Bendix; with one or two piston caliper	Freightliner chassis
WORKHORSE (Custom Chassis)					
WORKHORSE Custom Chassis WORKHORSE					
FRONT					
Pads	2007-2006	D1027	7931	w/68mm piston diameter	
Pads	2007-2006	D1268	8385	w/52mm piston diameter	
Pads	2007-2006	D786	7654	w/66mm piston diameter	
Pads	2003-1995	D184	7815	dual piston caliper	
Pads	2003-1995	D149	7081	single piston caliper	D543 use: D149
Pads	1994-1985	D153	7084	with 13" x 2.1/2" rear brakes	
Pads	1994-1985	D149	7081	with 13" x 3.1/2" rear brakes	D543 use: D149
REAR					
Pads	2007-2006	D1027	7931	w/68mm piston diameter	
Pads	2007-2006	D1268	8385	w/52mm piston diameter	
Pads	2007-2006	D786	7654	w/66mm piston diameter	
Pads	2003-1995	D184	7815	dual piston caliper	
Pads	2003-1995	D149	7081	single piston caliper	D543 use: D149
Pads	1994-1985	D153	7084		

FRICTION SYSTEM



Pads/Shoes

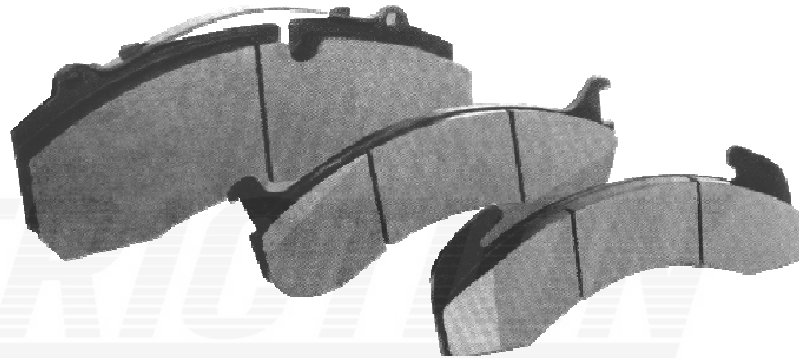
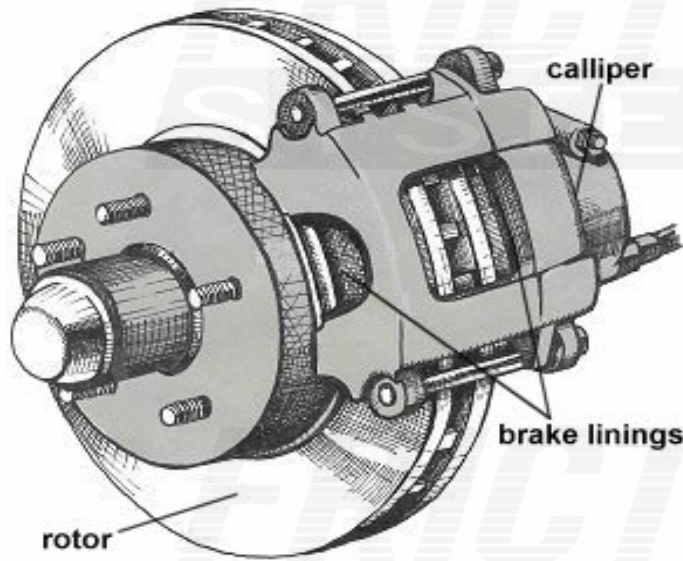
Years

Part No.

Lining

Description

Technical



Ceramic Fiber Disc Pads